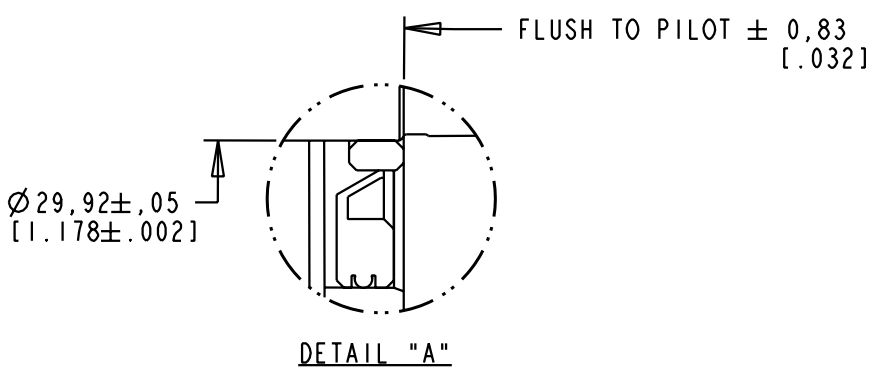


SPECIFICATIONS:

- MOTOR TYPE: 8 POLE, 3 PHASE, WYE WINDING, PERMANENT MAGNET ROTOR, TOTALLY ENCLOSED, NON VENTILATED.
- CONTINUOUS STALL TORQUE: 21.5 Nm (190 LB-IN) MAX AT 155°C WINDING TEMPERATURE, IN A 40°C AMBIENT, WHEN MOUNTED ON A 12 INCH SQUARE X 1/2 INCH THICK ALUMINUM HEAT SINK.
- OPERATING SPEED: 3000 RPM MAX.
- Ke: 170 ±10% V/KRPM 0-PEAK (PHASE TO PHASE) AT 20-30°C.
- 1024 SINUSOID/REV ENCODER, WITH 12 BIT MULTI-TURN AND 15 BIT SINGLE TURN ABSOLUTE POSITION DATA.
- EXTERNAL METAL MATERIAL: STAINLESS STEEL.
- BRAKE: 24VDC, 28.3Nm (250 LB-IN) MAX HOLDING TORQUE. BRAKE RELEASES WHEN VOLTAGE APPLIED, EITHER POLARITY
- FOR ADDITIONAL SPECIFICATIONS SEE 10000004957.

PIN-OUT	
ENCODER CONNECTOR	
PIN	FUNCTION
1	SIN +
2	SIN -
3	COS +
4	COS -
5	DATA +
6	DATA -
7-10	-
11	+9 VDC
12	COM
13	TS +
14	TS -
15-17	-

PIN-OUT	
POWER CONNECTOR	
PIN	FUNCTION
A	U
B	V
C	W
D	GROUND
E	-
F	BR+
G	BR-
H	-
L	-



REFERENCES		DESCRIPTION	CAD DOCUMENT	
VERSION/ CHANGE NUMBER	DIMENSIONS APPLY BEFORE SURFACE TREATMENT		CONFIDENTIAL AND PROPRIETARY INFORMATION	
	DIMENSIONS IN INCHES	MPS-B560F-MJ54DA, ESM	THIS DOCUMENT CONTAINS CONFIDENTIAL AND PROPRIETARY INFORMATION OF ROCKWELL AUTOMATION, INC. AND MAY NOT BE USED, COPIED OR DISCLOSED TO OTHERS, EXCEPT WITH THE AUTHORIZED WRITTEN PERMISSION OF ROCKWELL AUTOMATION, INC.	
	TOLERANCES UNLESS OTHERWISE SPECIFIED		PARTS MUST CONFORM TO APPLICABLE ROCKWELL AUTOMATION MANUFACTURING STANDARDS	
	.XX: ± .01	DR. EQ	SHEET 1 OF 1	
	.XXX: ± .005		DATE 6 FEB 08	DWG. SIZE B
	ANGLES: ± 1°	MATERIAL MASTER: PN-13443	DOCUMENT NUMBER	
00	FRACTIONS: ± 1/64"		10000004959	

Rockwell Automation