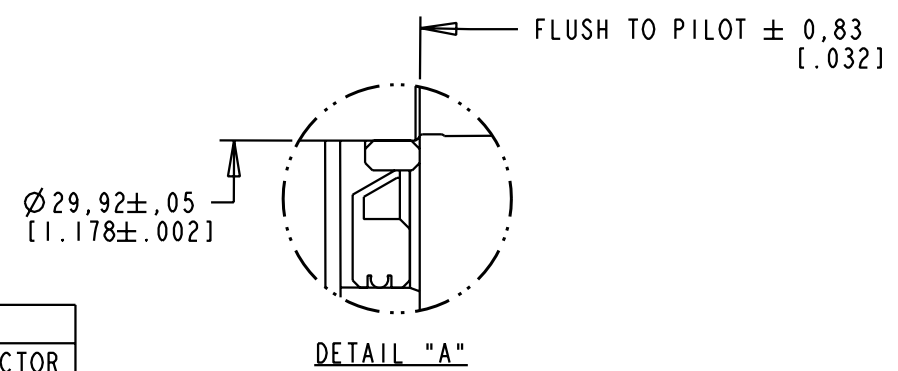


**SPECIFICATIONS:**

1. MOTOR TYPE: 8 POLE, 3 PHASE, WYE WINDING, PERMANENT MAGNET ROTOR, TOTALLY ENCLOSED, NON VENTILATED.
2. CONTINUOUS STALL TORQUE: 21.5 Nm (190 LB-IN) MAX AT 155°C WINDING TEMPERATURE, IN A 40°C AMBIENT, WHEN MOUNTED ON A 12 INCH SQUARE X 1/2 INCH THICK ALUMINUM HEAT SINK.
3. OPERATING SPEED: 3000 RPM MAX.
4.  $K_e$ : 170 ±10% V/KRPM 0-PEAK (PHASE TO PHASE) AT 20-30°C.
5. 1024 SINUSOID/REV ENCODER, WITH 12 BIT MULTI-TURN AND 15 BIT SINGLE TURN ABSOLUTE POSITION DATA.
6. EXTERNAL METAL MATERIAL: STAINLESS STEEL.
7. FOR ADDITIONAL SPECIFICATIONS SEE 7466-05-4202ESE.



PIN-OUT ENCODER CONNECTOR	
PIN	FUNCTION
1	SIN +
2	SIN -
3	COS +
4	COS -
5	DATA +
6	DATA -
7-10	-
11	+9 VDC
12	COM
13	TS +
14	TS -
15-17	-

PIN-OUT POWER CONNECTOR	
PIN	FUNCTION
A	U
B	V
C	W
D	GROUND
E-H	-
L	-

ProE Version main Modified I  
DXF FILE AVAILABLE

01	1017822	EQ	RELEASED	--	--
REV	ECN	BY	REVISION DESCRIPTION	DATE	CHKR
UNLESS OTHERWISE SPECIFIED			DRAWN BY	DATE	DESIGN ENGR
DO NOT SCALE DRAWING			EQ	08-18-05	--
DIMENSIONS ARE IN MILLIMETERS			MPS-B560F-MJ52DA,ESM		
WITH INCHES REFERENCED [X.X]			PART NO. 7466-05-4202ESM		
UNTOLERANCED DIMENSIONS ARE REFERENCE			SCALE: 1	DWG SIZE	SHEET
THIRD ANGLE PROJECTION			0.250	B	1 OF 1

Allen-Bradley