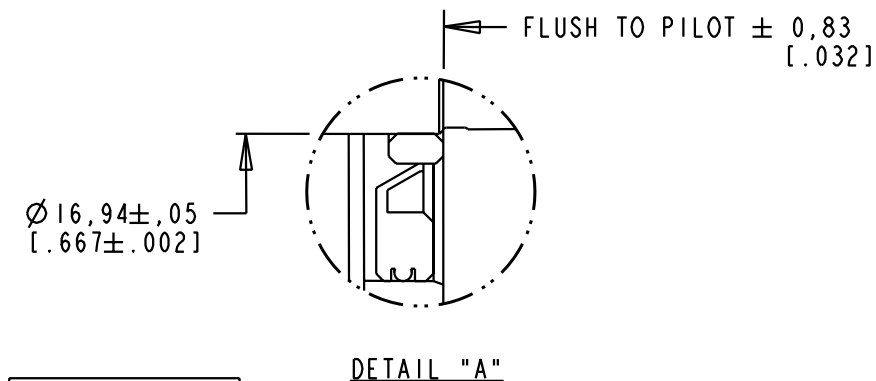


**SPECIFICATIONS:**

- MOTOR TYPE: 8 POLE, 3 PHASE, WYE WINDING, PERMANENT MAGNET ROTOR, TOTALLY ENCLOSED, NON VENTILATED.
- CONTINUOUS STALL TORQUE: 3.6 Nm (32 LB-IN) MAX AT 155°C WINDING TEMPERATURE, IN A 40°C AMBIENT, WHEN MOUNTED ON A 12 INCH SQUARE X 1/2 INCH THICK ALUMINUM HEAT SINK.
- OPERATING SPEED: 5000 RPM MAX.
- $K_e$ : 96 ±10% V/KRPM 0-PEAK (PHASE TO PHASE) AT 20-30°C.
- 1024 SINUSOID/REV ENCODER, WITH 12 BIT MULTI-TURN AND 15 BIT SINGLE TURN ABSOLUTE POSITION DATA.
- EXTERNAL METAL MATERIAL: STAINLESS STEEL.
- FOR ADDITIONAL SPECIFICATIONS SEE 7433-05-4202ESE.

PIN-OUT ENCODER CONNECTOR	
PIN	FUNCTION
1	SIN +
2	SIN -
3	COS +
4	COS -
5	DATA +
6	DATA -
7-10	-
11	+9 VDC
12	COM
13	TS +
14	TS -
15-17	-



PIN-OUT POWER CONNECTOR	
PIN	FUNCTION
A	U
B	V
C	W
D	GROUND
E-H	-
L	-

ProE Version I+ Modified I  
DXF FILE AVAILABLE

01	1014405	EQ	RELEASED		
REV	ECN	BY	REVISION DESCRIPTION	DATE	CHKR
UNLESS OTHERWISE SPECIFIED			DRAWN BY	DATE	DESIGN ENGR
DO NOT SCALE DRAWING			EQ	02-09-05	--
DIMENSIONS ARE IN MILLIMETERS			MPS-B330P-MJ52DA, ESM		
WITH INCHES REFERENCED (X.X)			PART NO. 7433-05-4202ESM		
UNTOLERANCED DIMENSIONS ARE REFERENCE			SCALE: 1	DWG SIZE	SHEET
THIRD ANGLE PROJECTION			0.333	B	1 OF 1

Allen-Bradley