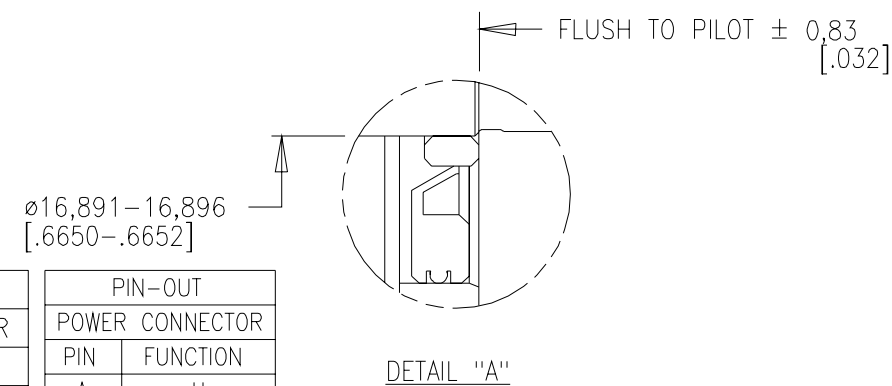


SPECIFICATIONS:

- MOTOR TYPE: 8 POLE, 3 PHASE, WYE WINDING, PERMANENT MAGNET ROTOR, TOTALLY ENCLOSED, NON VENTILATED.
- CONTINUOUS STALL TORQUE: 3.6 Nm (32 LB-IN) MAX AT 155°C WINDING TEMPERATURE, IN A 40°C AMBIENT, WHEN MOUNTED ON A 12 INCH SQUARE X 1/2 INCH THICK ALUMINUM HEAT SINK.
- OPERATING SPEED: 5000 RPM MAX.
- Ke: 48 ±10% V/KRPM 0-PEAK (PHASE TO PHASE) AT 20-30°C.
- 1024 SINUSOID/REV ENCODER, WITH 15 BIT SINGLE TURN ABSOLUTE POSITION DATA.
- BRAKE: 24VDC, 4.18 Nm (37 LB-IN) MAX HOLDING TORQUE. BRAKE RELEASES WHEN VOLTAGE APPLIED, EITHER POLARITY.
- EXTERNAL METAL MATERIAL: STAINLESS STEEL.
- FOR ADDITIONAL SPECIFICATIONS SEE 7433-00-4304ESE.

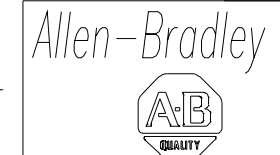
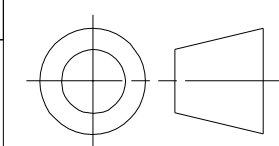


PIN-OUT ENCODER CONNECTOR	
PIN	FUNCTION
1	SIN +
2	SIN -
3	COS +
4	COS -
5	DATA +
6	DATA -
7-8	-
9	+5 VDC
10	COM
11-12	-
13	TS +
14	TS -
15-17	-

PIN-OUT POWER CONNECTOR	
PIN	FUNCTION
A	U
B	V
C	W
D	GROUND
E	-
F	BR+
G	BR-
H	-
L	-

ProE Version 0 Modified 1  
DXF FILE AVAILABLE

01	1014406	EQ	RELEASED		
REV	ECN	BY	REVISION DESCRIPTION	DATE	CHKR
UNLESS OTHERWISE SPECIFIED			DRAWN BY	DATE	DESIGN ENGR
DO NOT SCALE DRAWING			EQ	05-03-05	
DIMENSIONS ARE IN MILLIMETERS			MPS-A330P-SJ54DA,ESM		
WITH INCHES REFERENCED [X.X]					
UNTOLERANCED DIMENSIONS ARE REFERENCE					
THIRD ANGLE PROJECTION					



PART NO.		7433-00-4304ESM	
SCALE : 1	DWG SIZE	SHEET	
0.333	B	1 OF 1	