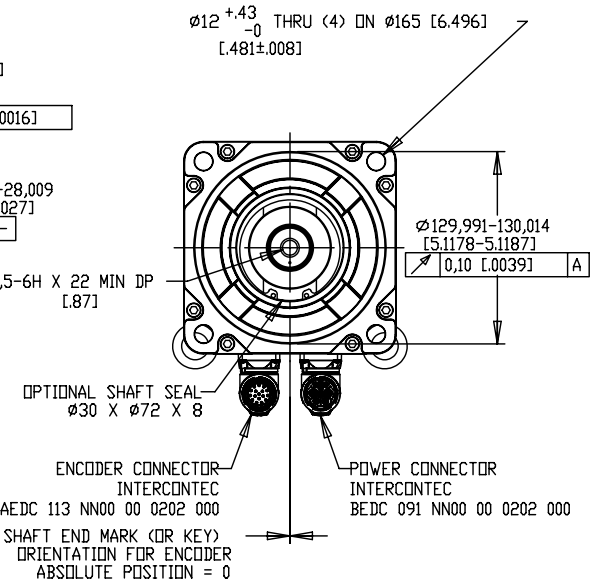
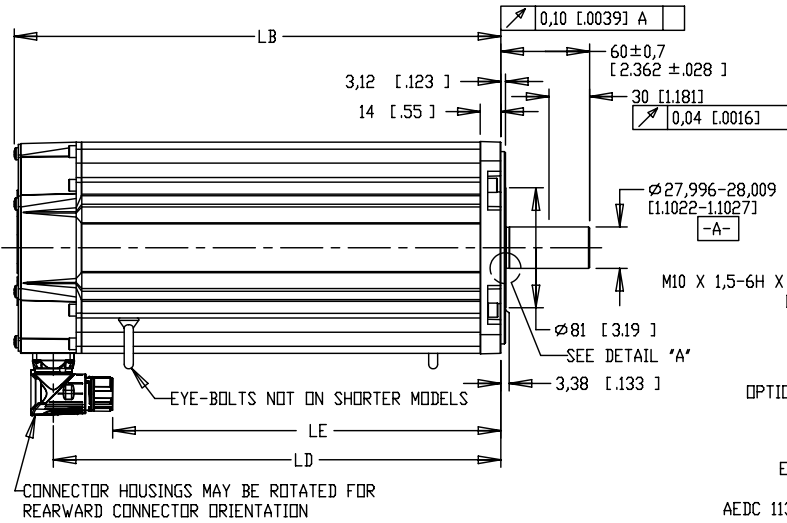
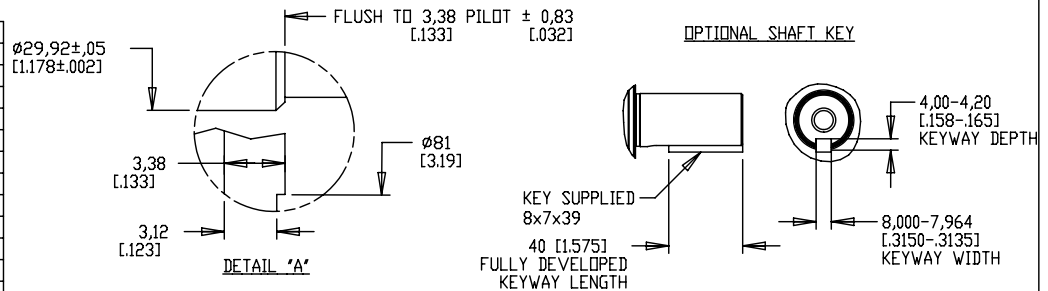


MODEL	LB	LD	LE
MPL-x520	227,3 [8.95]	200,9 [7.91]	160,8 [6.33]
MPL-x540	278,1 [10.95]	251,7 [9.91]	211,6 [8.33]
MPL-x560	328,9 [12.95]	302,5 [11.91]	262,4 [10.33]
MPM-B1651	278,1 [10.95]	251,7 [9.91]	211,6 [8.33]
MPM-B1652	328,9 [12.95]	302,5 [11.91]	262,4 [10.33]
MPM-B1653	379,7 [14.95]	353,3 [13.91]	313,2 [12.33]



PIN-OUT		ENCODER CONNECTOR	
PIN	FUNCTION	PIN	FUNCTION
1	SIN +	1	SIN +
2	SIN -	2	SIN -
3	CDS +	3	CDS +
4	CDS -	4	CDS -
5	DATA +	5	DATA +
6	DATA -	6	DATA -
7-8	-	7-8	-
9-10	-	9-10	-
11	EPWR 9V	11	EPWR 9V
12	ECOM	12	ECOM
13	TS +	13	TS +
14	TS -	14	TS -
15-17	-	15-17	-



1

NOTE:

- DXF FILE OF THIS DRAWING MUST BE SCALED TO LENGTH, SEE CHART ABOVE. MODEL SHOWN IS MPL-x560x-xx74AA.
- 3D STEP (.stp) FILES AVAILABLE AT ALL LENGTHS.
- THIS DRAWING COVERS SINGLE AND MULTI-TURN ABSOLUTE ENCODER MODELS (i.e., MPx-xxxxx-Mx74AA and MPx-xxxxx-Sx74AA).

REFERENCES		DESCRIPTION	CAD DOCUMENT
VERSION	UNLESS OTHERWISE SPECIFIED	ESM,MPL-x5xxx-xx74AA;MPM-x165xx-xx74AA	Allen-Bradley 
01	DO NOT SCALE DRAWING DIMENSIONS ARE IN MILLIMETERS WITH INCHES REFERENCED (X1 UNTOLERANCED) DIMENSIONS ARE REFERENCE 3RD ANGLE PROJECTION		
		DR. D. HECKSEL	SHEET 1 OF 1
		DATE 5/28/08	DWG. DOCUMENT NUMBER
		DXF 2D OR STEP 3D FILE AVAILABLE	SIZE 10000014309

B