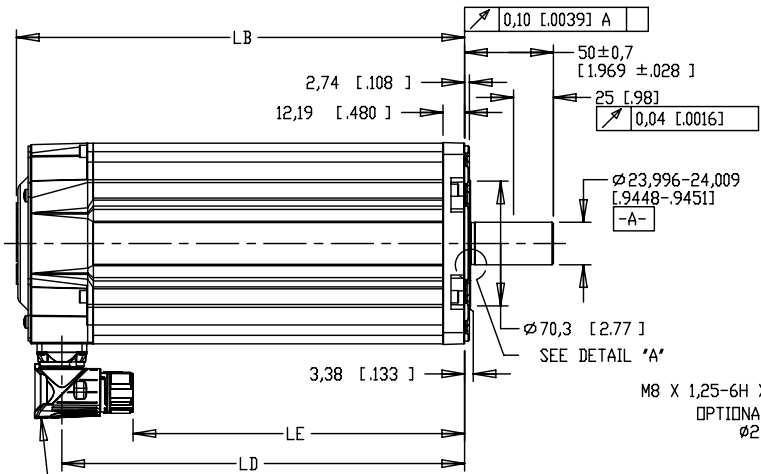


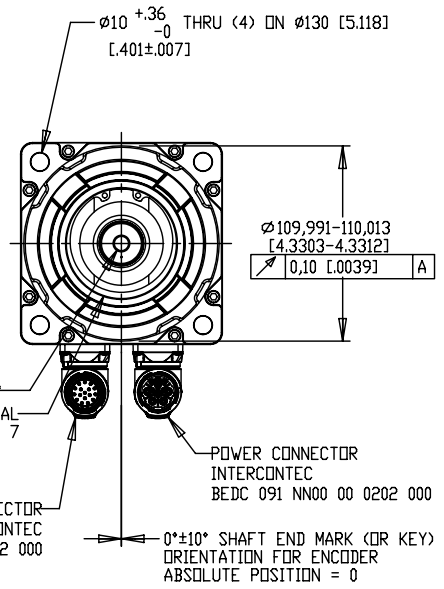
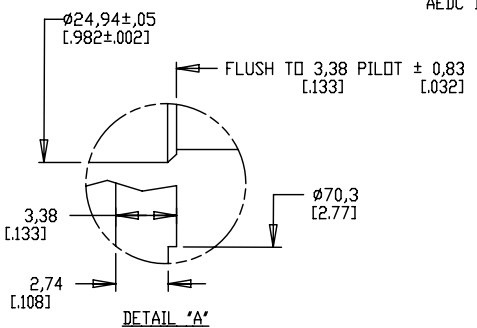
MODEL	LB	LD	LE
MPL-A4530	227,1 [8.94]	201,4 [7.93]	161,3 [6.35]
MPL-A4540	252,5 [9.94]	226,8 [8.93]	186,7 [7.35]
MPL-A4560	303,3 [11.94]	277,6 [10.93]	237,5 [9.35]
MPM-A1302	227,1 [8.94]	201,4 [7.93]	161,3 [6.35]
MPM-A1304	277,9 [10.94]	252,2 [9.93]	212,1 [8.35]

PIN-OUT POWER CONNECTOR	
PIN	FUNCTION
A	U
B	V
C	W
⊕	GND
E	-
F	MBRK+
G	MBRK-
H	-
L	-

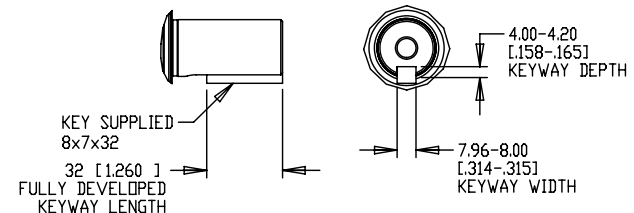
PIN-OUT ENCODER CONNECTOR	
PIN	FUNCTION
1	SIN +
2	SIN -
3	CDS +
4	CDS -
5	DATA +
6	DATA -
7-8	-
9	EPWR 5V
10	ECDM
11-12	-
13	TS +
14	TS -
15-17	-



CONNECTOR HOUSINGS MAY BE ROTATED FOR REARWARD CONNECTOR ORIENTATION



M8 X 1,25-6H X 19 MIN DP
 OPTIONAL SHAFT SEAL
 Ø25 X Ø62 X 7
 POWER CONNECTOR INTERCONTEC BEDC 091 NN00 00 0202 000
 ENCODER CONNECTOR INTERCONTEC AEDC 113 NN00 00 0202 000



- NOTE:
- DXF FILE OF THIS DRAWING MUST BE SCALED TO LENGTH, SEE CHART ABOVE. MODEL SHOWN IS MPL-A4540x-xx74AA.
 - 3D STEP (.stp) FILES AVAILABLE AT ALL LENGTHS.
 - THIS DRAWING COVERS SINGLE AND MULTI-TURN ABSOLUTE ENCODER MODELS (i.e., MPx-Axxxx-Mx74AA and MPx-Axxxx-Sx74AA).

REFERENCES		DESCRIPTION	CAD DOCUMENT
VERSION	UNLESS OTHERWISE SPECIFIED	ESM,MPL-A45xxx-xx74AA;MPM-A130xx-xx74AA	Allen-Bradley
01	DO NOT SCALE DRAWING DIMENSIONS ARE IN MILLIMETERS WITH INCHES REFERENCED (X) UNTOLERANCED DIMENSIONS ARE REFERENCE		
	3RD ANGLE PROJECTION		
DR. D. HECKSEL		DATE 5/27/08	SHEET 1 OF 1
DXF 2D OR STEP 3D FILE AVAILABLE		DWG. DOCUMENT NUMBER	SIZE 10000014304

B