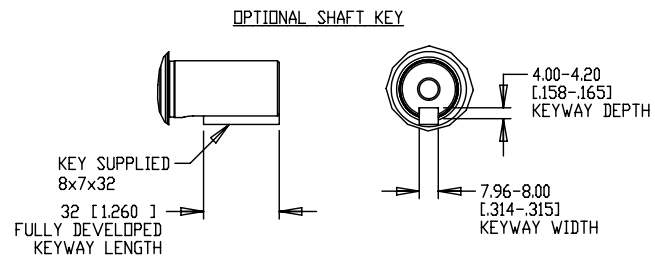
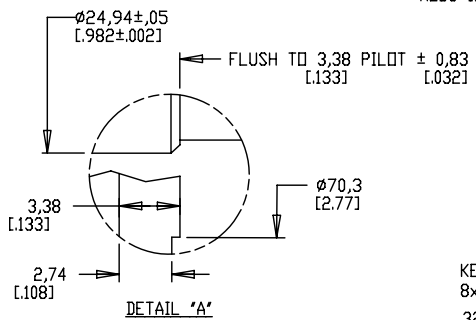
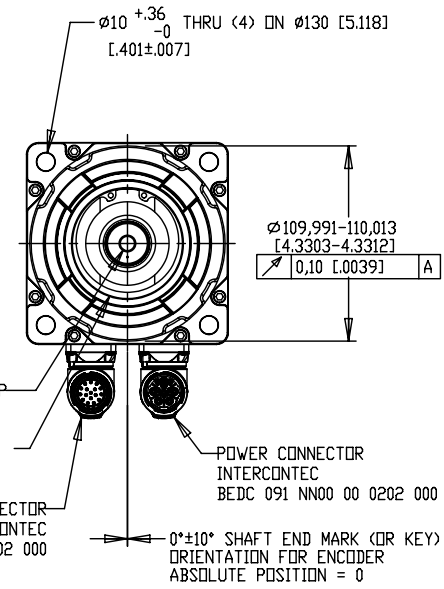
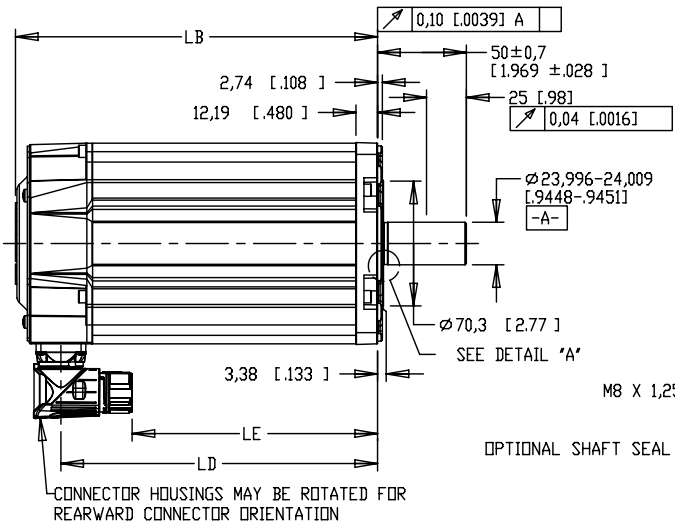


MODEL	LB	LD	LE
MPL-A4530	178,6 [7.03]	152,9 [6.02]	112,8 [4.44]
MPL-A4540	204 [8.03]	178,3 [7.02]	138,2 [5.44]
MPL-A4560	254,8 [10.03]	229,1 [9.02]	189 [7.44]
MPM-A1302	178,6 [7.03]	152,9 [6.02]	112,8 [4.44]
MPM-A1304	229,4 [9.03]	203,7 [8.02]	163,6 [6.44]

PIN-OUT	
POWER CONNECTOR	FUNCTION
A	U
B	V
C	W
⊕	GND
E-H	-
L	-

PIN-OUT	
ENCODER CONNECTOR	FUNCTION
1	SIN +
2	SIN -
3	COS +
4	COS -
5	DATA +
6	DATA -
7-8	-
9	EPWR 5V
10	ECOM
11-12	-
13	TS +
14	TS -
15-17	-



NOTE: 1 DXF FILE OF THIS DRAWING MUST BE SCALED TO LENGTH, SEE CHART ABOVE. MODEL SHOWN IS MPL-A4540x-x72xx.

2. 3D STEP (.stp) FILES AVAILABLE AT ALL LENGTHS.

3. THIS DRAWING COVERS SINGLE AND MULTI-TURN ABSOLUTE ENCODER MODELS (i.e., MPx-Axxxx-Mx72AA AND MPx-Axxxx-Sx72AA).

REFERENCES		DESCRIPTION	CAD DOCUMENT
VERSION	UNLESS OTHERWISE SPECIFIED	ESM,MPL-A45xxx-xx72xx;MPM-A130xx-xx72AA	Allen-Bradley
01	DO NOT SCALE DRAWING DIMENSIONS ARE IN MILLIMETERS WITH INCHES REFERENCED EX) UNTOLEERANCED) DIMENSIONS ARE REFERENCE 3RD ANGLE PROJECTION		
		<b>Rockwell Automation</b>	
		DR. D. HECKSEL DATE 5/27/08	SHEET 1 OF 1
		DXF 2D DR STEP 3D FILE AVAILABLE	DWG. DOCUMENT NUMBER SIZE 10000014303

B