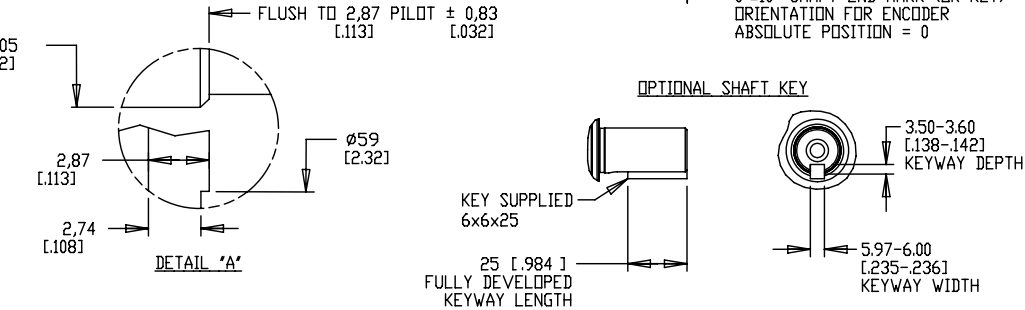


MODEL	LB	LD	LE
MPL-A420	149,9 [5.90]	124,2 [4.89]	84,1 [3.31]
MPL-A430	175,3 [6.90]	149,6 [5.89]	109,5 [4.31]
MPM-A1151	149,9 [5.90]	124,2 [4.89]	84,1 [3.31]
MPM-A1152	175,3 [6.90]	149,6 [5.89]	109,5 [4.31]
MPM-A1153	200,7 [7.90]	175 [6.89]	134,9 [5.31]

PIN-OUT	
POWER CONNECTOR	
PIN	FUNCTION
A	U
B	V
C	W
⊕	GND
E-H	-
L	-

PIN-OUT	
ENCODER CONNECTOR	
PIN	FUNCTION
1	SIN +
2	SIN -
3	COS +
4	COS -
5	DATA +
6	DATA -
7-8	-
9	EPWR 5V
10	ECOM
11-12	-
13	TS +
14	TS -
15-17	-



REFERENCES		DESCRIPTION	CAD DOCUMENT
VERSION	UNLESS OTHERWISE SPECIFIED	ESM,MPL-A4xxx-xx72AA;MPM-A115xx-xx72AA	Allen-Bradley
01	DO NOT SCALE DRAWING DIMENSIONS ARE IN MILLIMETERS WITH UNTOLEERANCED DIMENSIONS ARE REFERENCE 3RD ANGLE PROJECTION		
		Rockwell Automation	
		DR. D. HECKSEL DATE 5/23/08	SHEET 1 OF 1
		DXF 2D OR STEP 3D FILE AVAILABLE	DWG. DOCUMENT NUMBER SIZE 10000020739

NOTE:

- DXF FILE OF THIS DRAWING MUST BE SCALED TO LENGTH, SEE CHART ABOVE. MODEL SHOWN IS MPL-A430x-xx72AA.
- 3D STEP (.stp) FILES AVAILABLE AT ALL LENGTHS.
- THIS DRAWING COVERS SINGLE AND MULTI-TURN ABSOLUTE ENCODER MODELS (i.e., MPx-Axxxx-Mx72AA and MPx-Axxxx-Sx72AA).

B