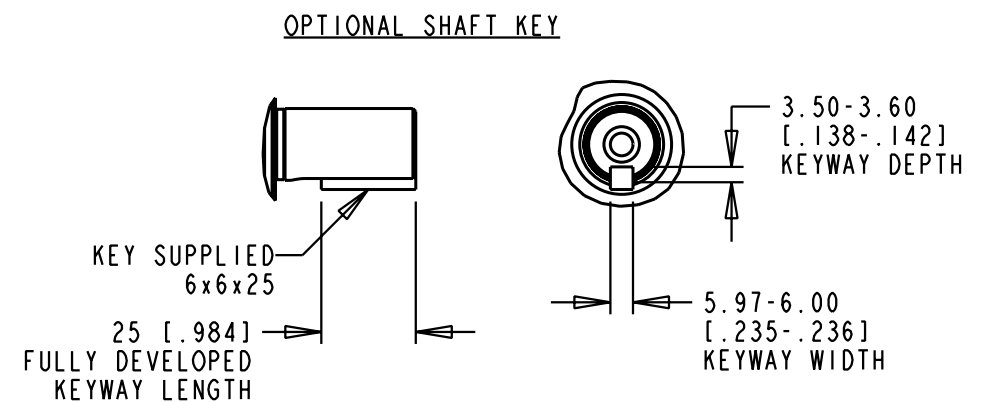
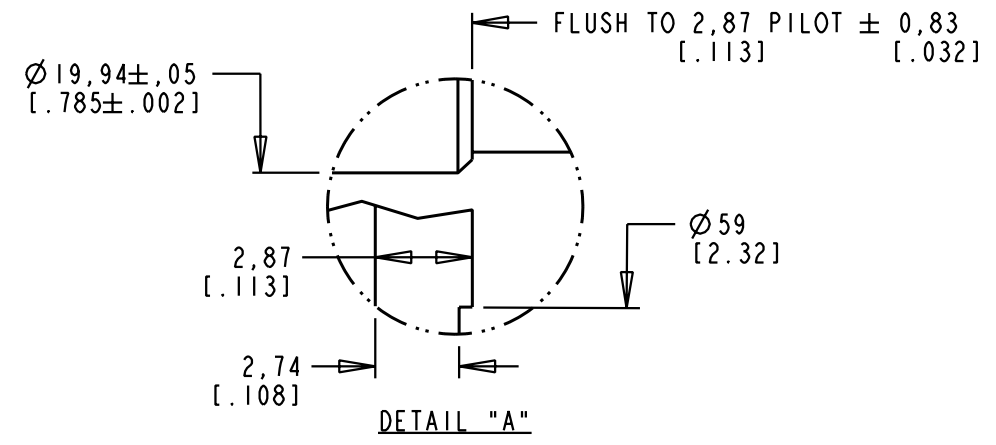


MODEL	L1	L2	L3
420	198 [7.81]	133 [5.22]	173 [6.80]
430	224 [8.81]	158 [6.22]	198 [7.80]

PIN-OUT POWER CONNECTOR		PIN-OUT ENCODER CONNECTOR	
PIN	FUNCTION	PIN	FUNCTION
A	U	1	AM +
B	V	2	AM -
C	W	3	BM +
D	GND	4	BM -
E	-	5	IM +
F	MBRK+	6	IM -
G	MBRK-	7	-
H	-	8	ABS
L	-	9	EPWR 5V
		10	ECOM
		11-12	-
		13	TS +
		14	TS -
		15	S1
		16	S2
		17	S3

NOTE: 1 DXF OF THIS DRAWING MUST BE SCALED TO LENGTH ON CHART (310, 320). MODEL SHOWN IS MPL-x330x-Rx72AA.
2. 3D STEP (.stp) FILES AVAILABLE AT ALL LENGTHS.



REFERENCES		DESCRIPTION	CAD DOCUMENT	
VERSION/ CHANGE NUMBER	UNLESS OTHERWISE SPECIFIED DO NOT SCALE DRAWING DIMENSIONS ARE IN MILLIMETERS WITH INCHES REFERENCED [X] UNTOLERANCED DIMENSIONS ARE REFERENCE 3RD ANGLE PROJECTION	MPL-x4xxx-Hx74AA, ESM	Allen-Bradley 	
00	10005711	DR. D. HECKSEL DATE 05/23/08		
		DXF 2D OR STEP 3D FILE AVAILABLE	DWG. SIZE B	DOCUMENT NUMBER 10000020730