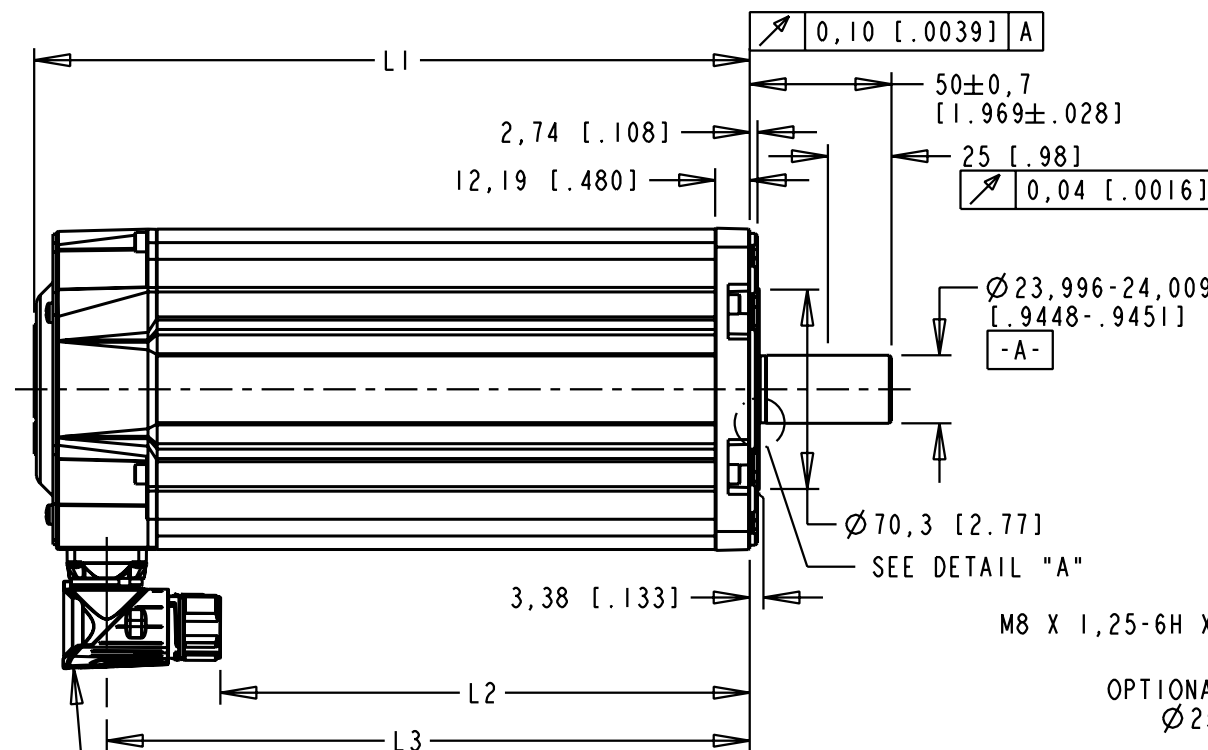


MODEL	L1	L2	L3
4530	227 [8.94]	161 [6.35]	201 [7.93]
4540	252 [9.94]	187 [7.35]	227 [8.93]
4560	303 [11.94]	237 [9.35]	278 [10.93]

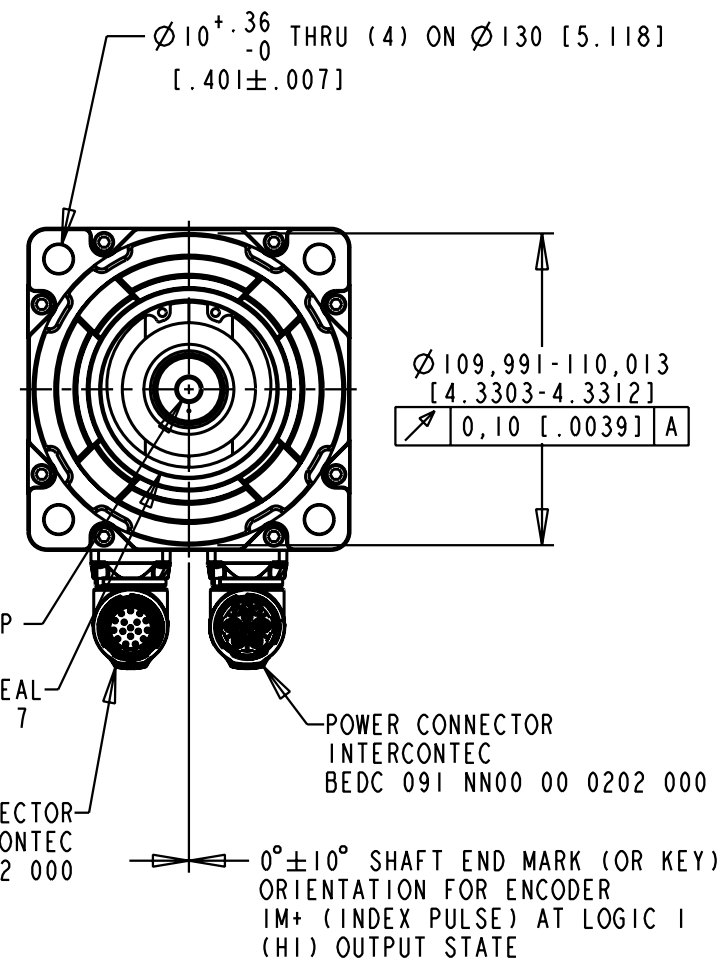
PIN-OUT POWER CONNECTOR	
PIN	FUNCTION
A	U
B	V
C	W
D	GND
E	-
F	MBRK+
G	MBRK-
H	-
L	-

PIN-OUT ENCODER CONNECTOR	
PIN	FUNCTION
1	AM +
2	AM -
3	BM +
4	BM -
5	IM +
6	IM -
7	-
8	ABS
9	EPWR 5V
10	ECOM
11-12	-
13	TS +
14	TS -
15	S1
16	S2
17	S3

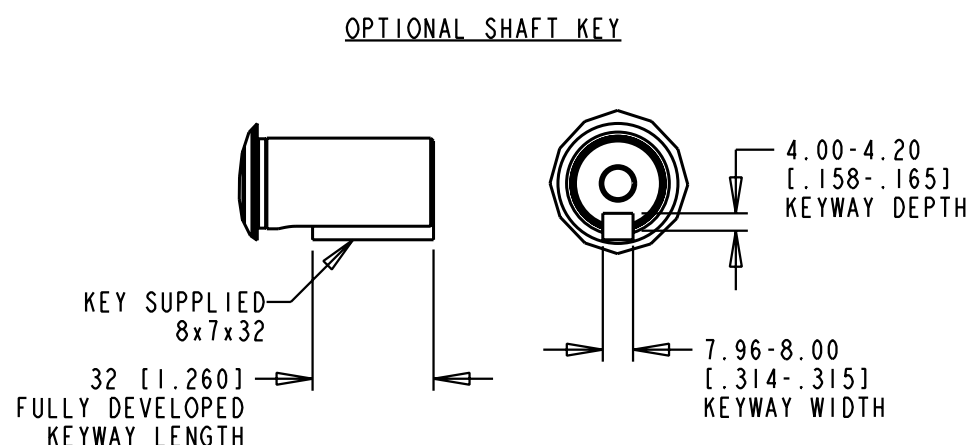
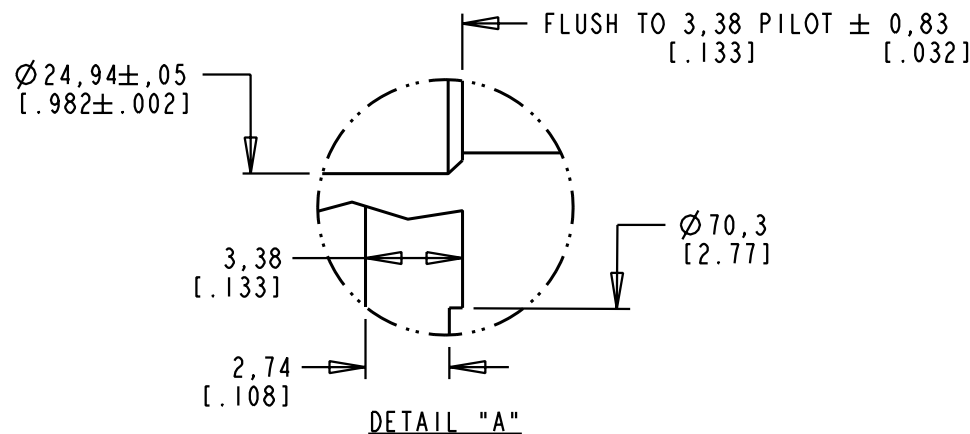


CONNECTOR HOUSINGS MAY BE ROTATED FOR REARWARD CONNECTOR ORIENTATION

M8 X 1,25-6H X 19 MIN DP  
 OPTIONAL SHAFT SEAL  
 $\varnothing 25 \times \varnothing 62 \times 7$   
 ENCODER CONNECTOR INTERCONTEC  
 AEDC 113 NN00 00 0202 000



POWER CONNECTOR INTERCONTEC  
 BEDC 091 NN00 00 0202 000  
 $0^\circ \pm 10^\circ$  SHAFT END MARK (OR KEY)  
 ORIENTATION FOR ENCODER  
 IM+ (INDEX PULSE) AT LOGIC 1  
 (HI) OUTPUT STATE



NOTE:  
 1. DXF OF THIS DRAWING MUST BE SCALED TO LENGTH ON CHART (4530, 4560) MODEL SHOWN IS MPL-B4540x-xx74AA.  
 2. 3D STEP (.stp) FILES AVAILABLE AT ALL LENGTHS.

REFERENCES		DESCRIPTION	CAD DOCUMENT	
VERSION/ CHANGE NUMBER	UNLESS OTHERWISE SPECIFIED DO NOT SCALE DRAWING DIMENSIONS ARE IN MILLIMETERS WITH INCHES REFERENCED (X) UNTOLERANCED DIMENSIONS ARE REFERENCE 3RD ANGLE PROJECTION	MPL-x45xxx-Hx74AA, ESM	<b>Allen-Bradley</b> 	
00	10005711	DR. D. HECKSEL   DATE 05/27/08		
		DXF 2D OR STEP 3D FILE AVAILABLE	DWG. SIZE <b>B</b>	DOCUMENT NUMBER 10000020806

**Rockwell Automation**