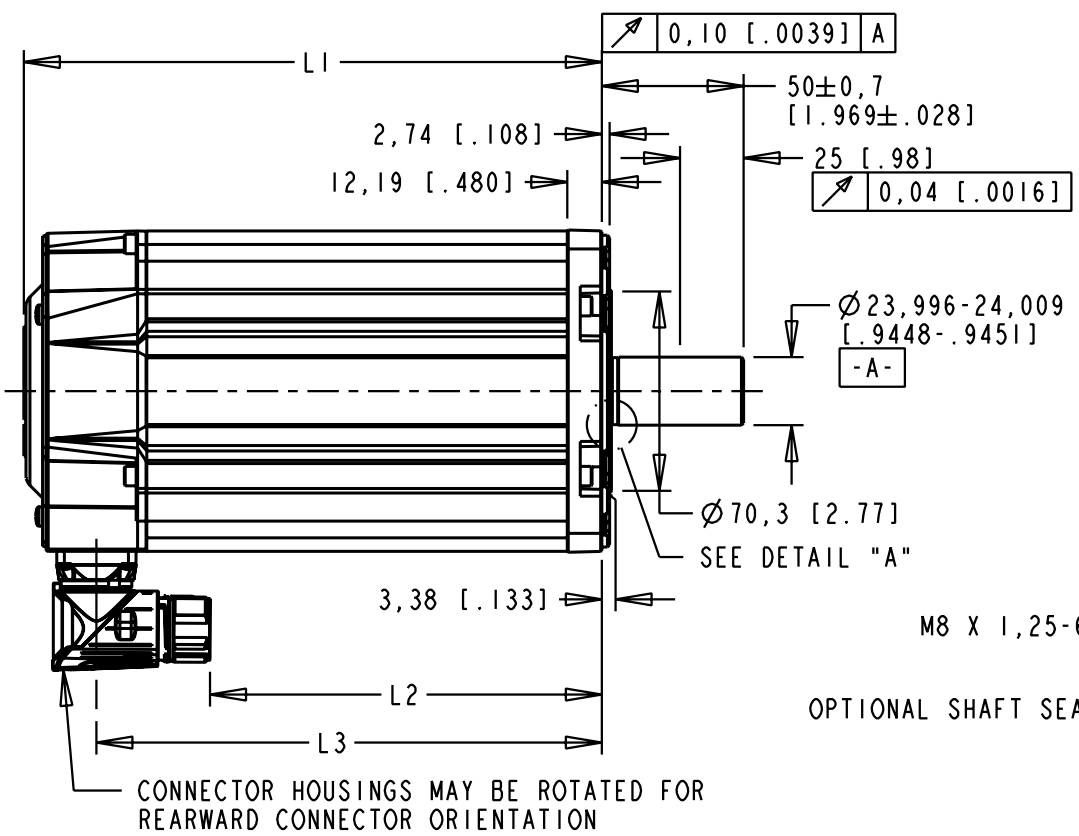


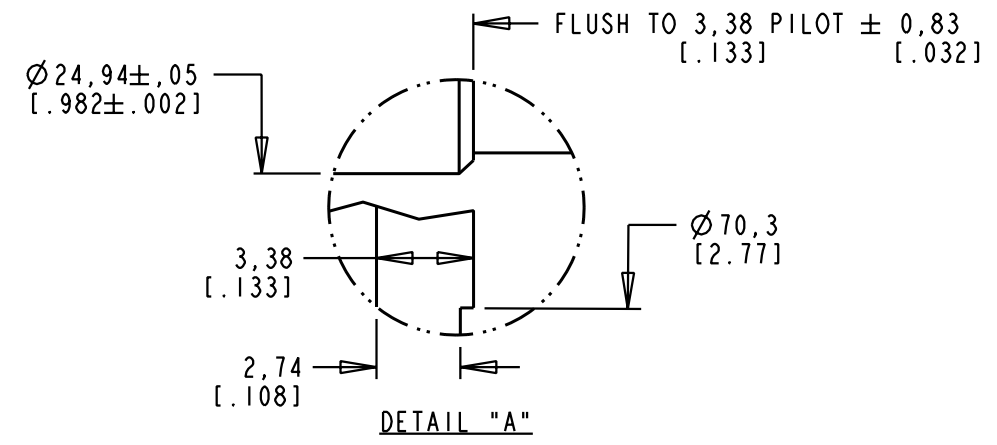
MODEL	L1	L2	L3
4530	179 [7.03]	113 [4.44]	153 [6.02]
4540	204 [8.03]	138 [5.44]	178 [7.02]
4560	255 [10.03]	189 [7.44]	229 [9.02]

PIN-OUT		PIN-OUT	
POWER CONNECTOR		ENCODER CONNECTOR	
PIN	FUNCTION	PIN	FUNCTION
A	U	1	AM +
B	V	2	AM -
C	W	3	BM +
D	GND	4	BM -
E-H	-	5	IM +
L	-	6	IM -
		7	-
		8	ABS
		9	EPWR 5V
		10	ECOM
		11-12	-
		13	TS +
		14	TS -
		15	S1
		16	S2
		17	S3

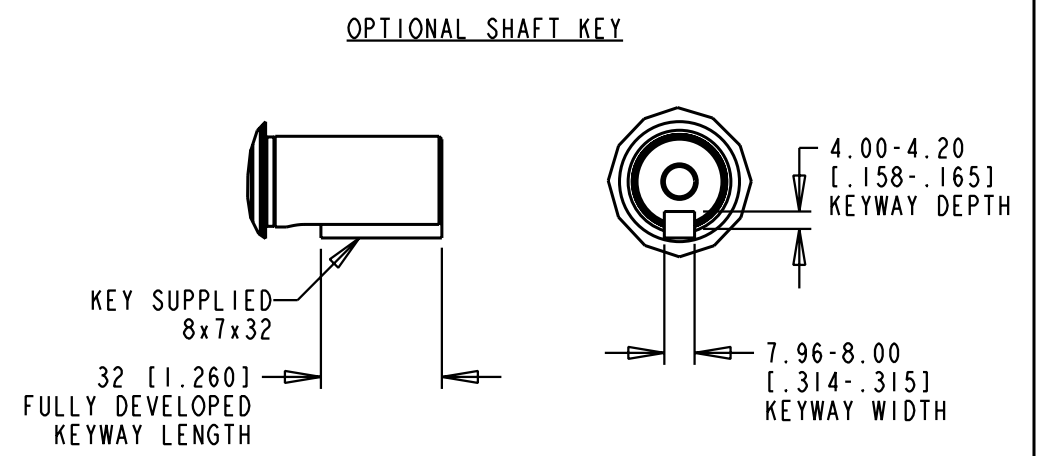
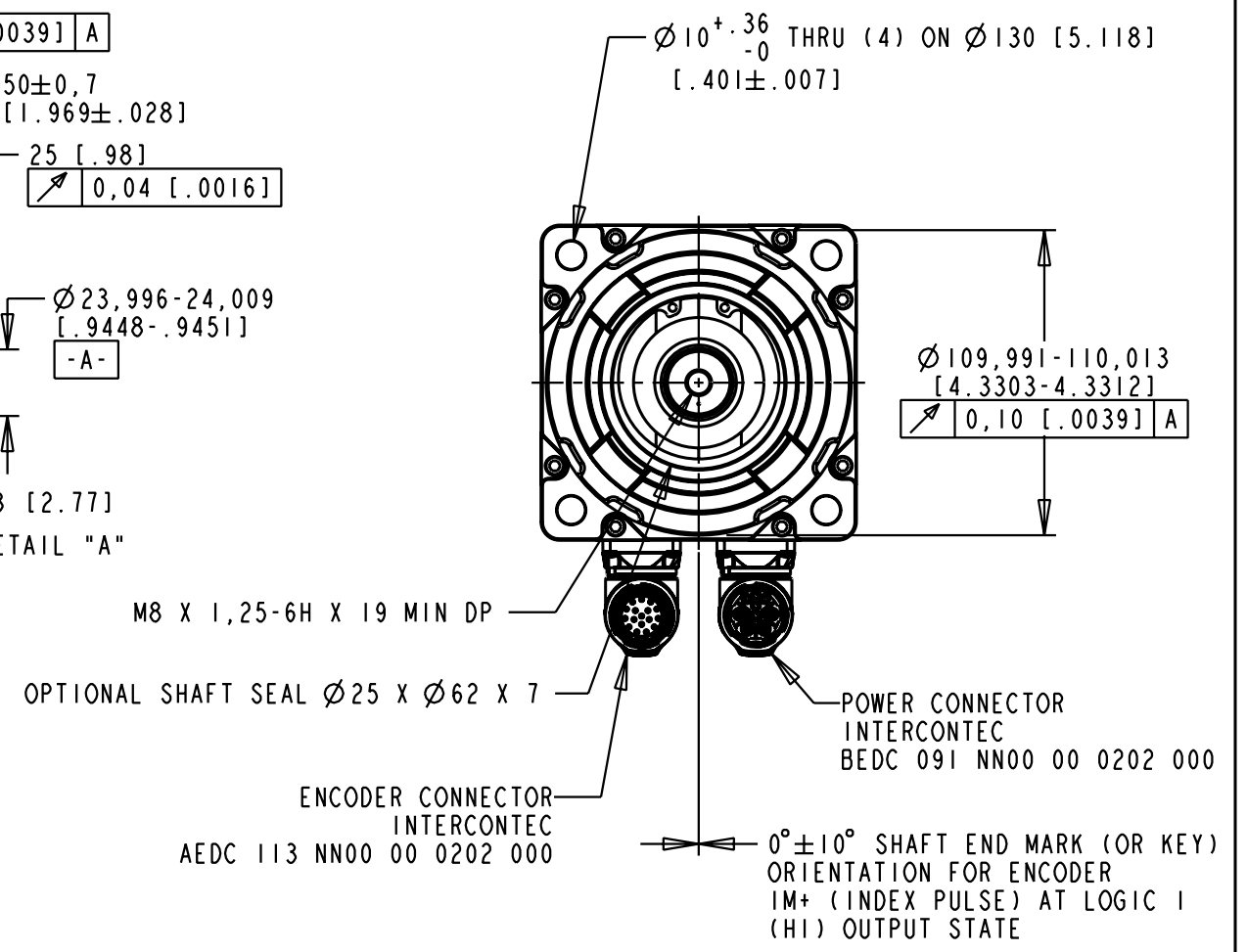
NOTE: 1 DXF OF THIS DRAWING MUST BE SCALED TO LENGTH ON CHART (4530, 4560). MODEL SHOWN IS MPL-B4540x-xx72AA.
2. 3D STEP (.stp) FILES AVAILABLE AT ALL LENGTHS.



CONNECTOR HOUSINGS MAY BE ROTATED FOR REARWARD CONNECTOR ORIENTATION



DETAIL "A"



REFERENCES	
VERSION/CHANGE NUMBER	UNLESS OTHERWISE SPECIFIED
00	10005711

DO NOT SCALE DRAWING DIMENSIONS ARE IN MILLIMETERS WITH INCHES REFERENCED [X] UNTOLERANCED DIMENSIONS ARE REFERENCE 3RD ANGLE PROJECTION

DESCRIPTION	
MPL-x45xxx-Hx72AA, ESM	
Rockwell Automation	
DR. D. HECKSEL	DATE 05/27/08
DXF 2D OR STEP 3D FILE AVAILABLE	

CAD DOCUMENT	
<i>Allen-Bradley</i>	
SHEET 1	OF 1
DWG. SIZE B	DOCUMENT NUMBER 10000020805