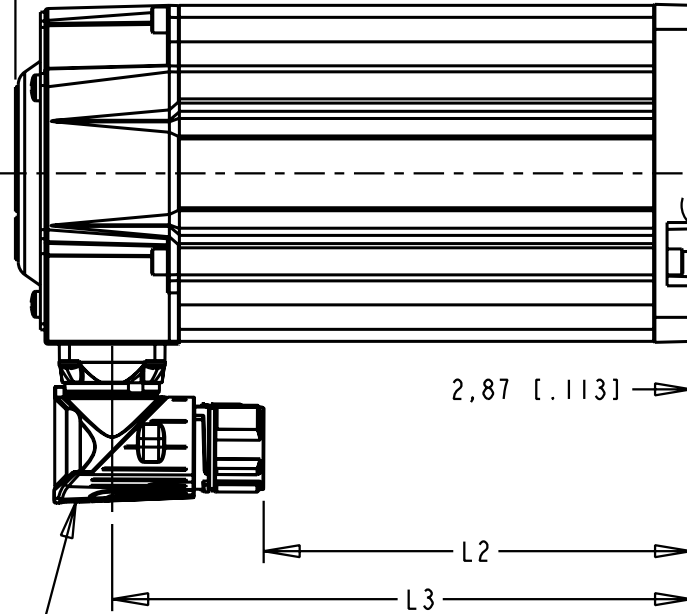


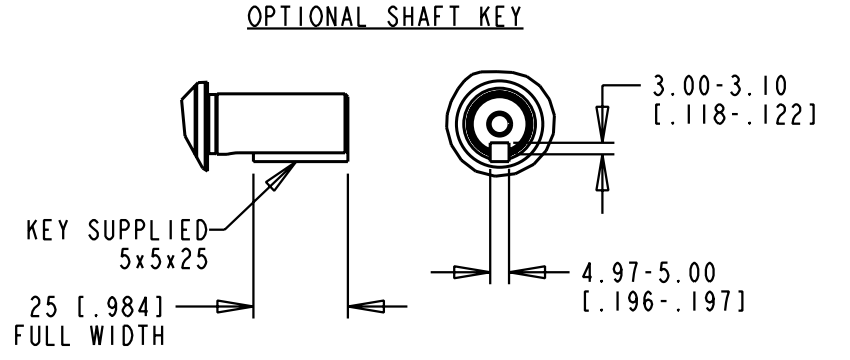
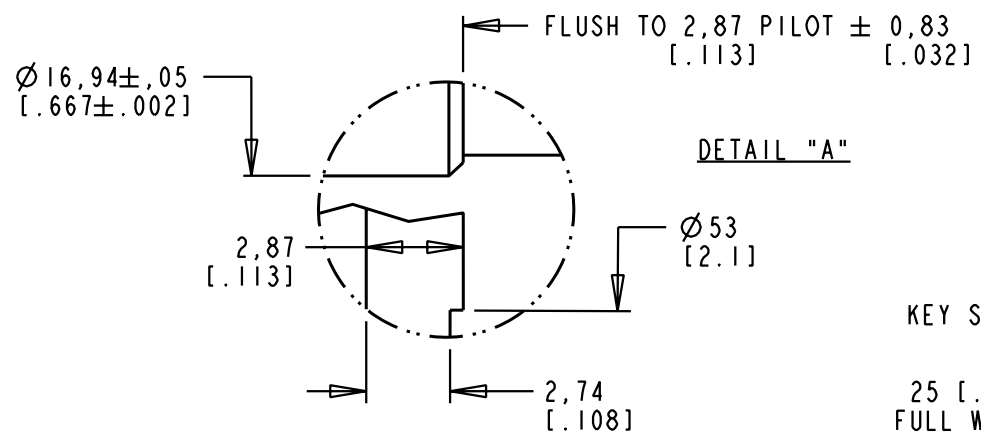
MODEL	L1	L2	L3
310	128 [5.04]	62 [2.45]	102 [4.03]
320	153 [6.04]	88 [3.45]	128 [5.03]
330	179 [7.04]	113 [4.45]	153 [6.03]

PIN-OUT POWER CONNECTOR		PIN-OUT ENCODER CONNECTOR	
PIN	FUNCTION	PIN	FUNCTION
A	U	1	AM +
B	V	2	AM -
C	W	3	BM +
D	GND	4	BM -
E-H	-	5	IM +
L	-	6	IM -
		7	-
		8	ABS
		9	EPWR 5V
		10	ECOM
		11-12	-
		13	TS +
		14	TS -
		15	S1
		16	S2
		17	S3

NOTE:  $\triangle$  DXF OF THIS DRAWING MUST BE SCALED TO LENGTH ON CHART (310, 320). MODEL SHOWN IS MPL-x330x-Hx72AA.  
 2. 3D STEP (.stp) FILES AVAILABLE AT ALL LENGTHS.



CONNECTOR HOUSINGS MAY BE ROTATED FOR REARWARD CONNECTOR ORIENTATION



REFERENCES		DESCRIPTION		CAD DOCUMENT	
VERSION/ CHANGE NUMBER	UNLESS OTHERWISE SPECIFIED DO NOT SCALE DRAWING DIMENSIONS ARE IN MILLIMETERS WITH INCHES REFERENCED [X] UNTOLERANCED DIMENSIONS ARE REFERENCE 3RD ANGLE PROJECTION	MPL-x3xxx-Hx72AA, ESM		Allen-Bradley	
01	10005078	DR. WKG	DATE 14 FEB 08	SHEET 1	OF 1
00	10003357	DXF 2D OR STEP 3D FILE AVAILABLE		DWG. SIZE B	DOCUMENT NUMBER 10000014298

