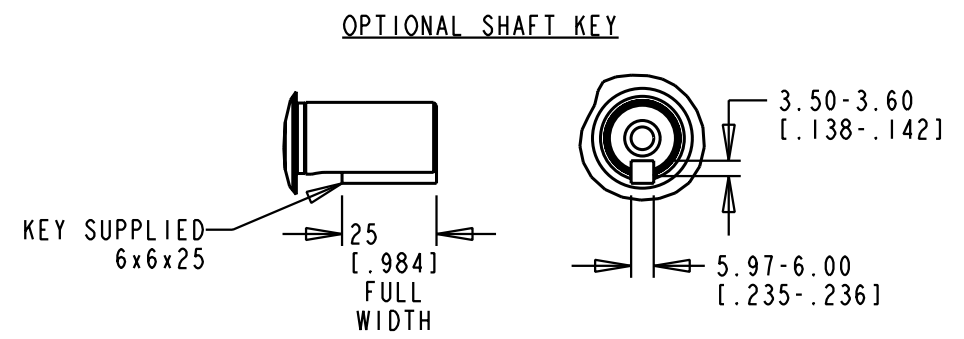
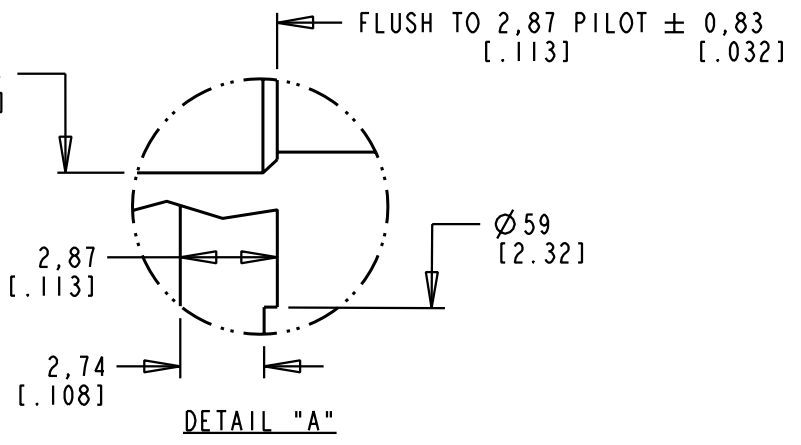


| MODEL | L1 | L2 | L3 |
|-------|------------|------------|------------|
| 420 | 198 [7.81] | 133 [5.22] | 173 [6.81] |
| 430 | 224 [8.81] | 158 [6.22] | 198 [7.81] |

| PIN-OUT | |
|--------------------|----------|
| RESOLVER CONNECTOR | |
| PIN | FUNCTION |
| 1 | S2 |
| 2 | S4 |
| 3 | S1 |
| 4 | S3 |
| 5 | - |
| 6 | - |
| 7 | R1 |
| 8 | R2 |
| 9 | - |
| 10-12 | - |
| 13 | TS + |
| 14 | TS - |
| 15-17 | - |

| PIN-OUT | |
|-----------------|----------|
| POWER CONNECTOR | |
| PIN | FUNCTION |
| A | U |
| B | V |
| C | W |
| D | GND |
| E | - |
| F | MBRK+ |
| G | MBRK- |
| H | - |
| L | - |



NOTE:
 1 DXF OF THIS DRAWING MUST BE SCALED TO LENGTH ON CHART (420). MODEL SHOWN IS MPL-x430x-Rx74AA.
 2. 3D STEP (.stp) FILES AVAILABLE AT ALL LENGTHS.

| REFERENCES | | DESCRIPTION | | CAD DOCUMENT | |
|---------------------------|--|----------------------------|-----|---|-----------|
| VERSION/ CHANGE NUMBER | DIMENSIONS APPLY BEFORE SURFACE TREATMENT DIMENSIONS IN INCHES TOLERANCES UNLESS OTHERWISE SPECIFIED .XX:± .01 .XXX:± .005 ANGLES:± 1° FRACTIONS:± 1/64" | MPL-x4xxx-Rx74AA, ESM | | CONFIDENTIAL AND PROPRIETARY INFORMATION THIS DOCUMENT CONTAINS CONFIDENTIAL AND PROPRIETARY INFORMATION OF ROCKWELL AUTOMATION, INC. AND MAY NOT BE USED, COPIED OR DISCLOSED TO OTHERS, EXCEPT WITH THE AUTHORIZED WRITTEN PERMISSION OF ROCKWELL AUTOMATION, INC. PARTS MUST CONFORM TO APPLICABLE ROCKWELL AUTOMATION MANUFACTURING STANDARDS | |
| 00 | 10003357 | DR. | WKG | DATE | 11 FEB 08 |
| | | Rockwell Automation | | SHEET 1 OF 1 | |
| | | MATERIAL MASTER: | | DWG. SIZE B | |
| | | | | DOCUMENT NUMBER 10000014302 | |