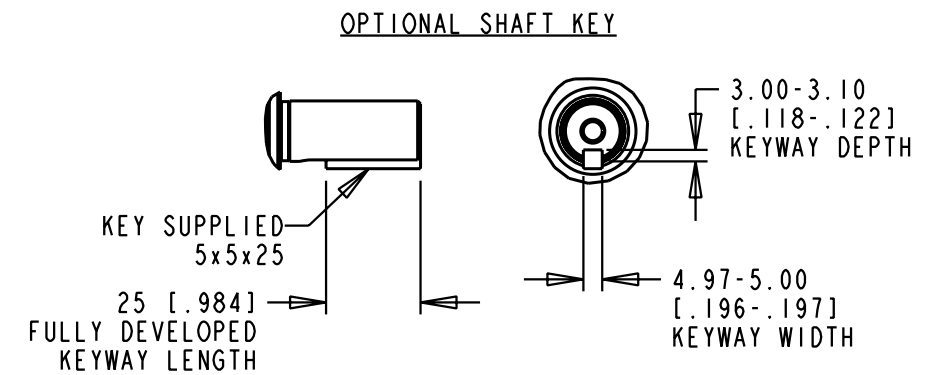
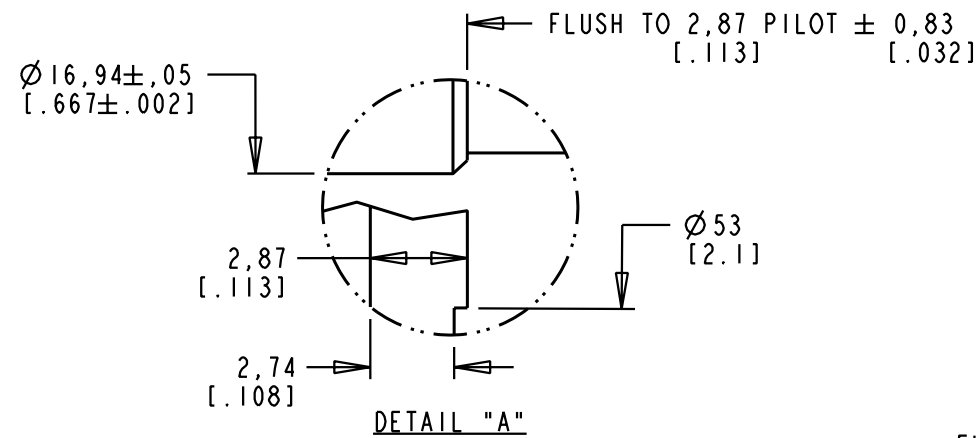
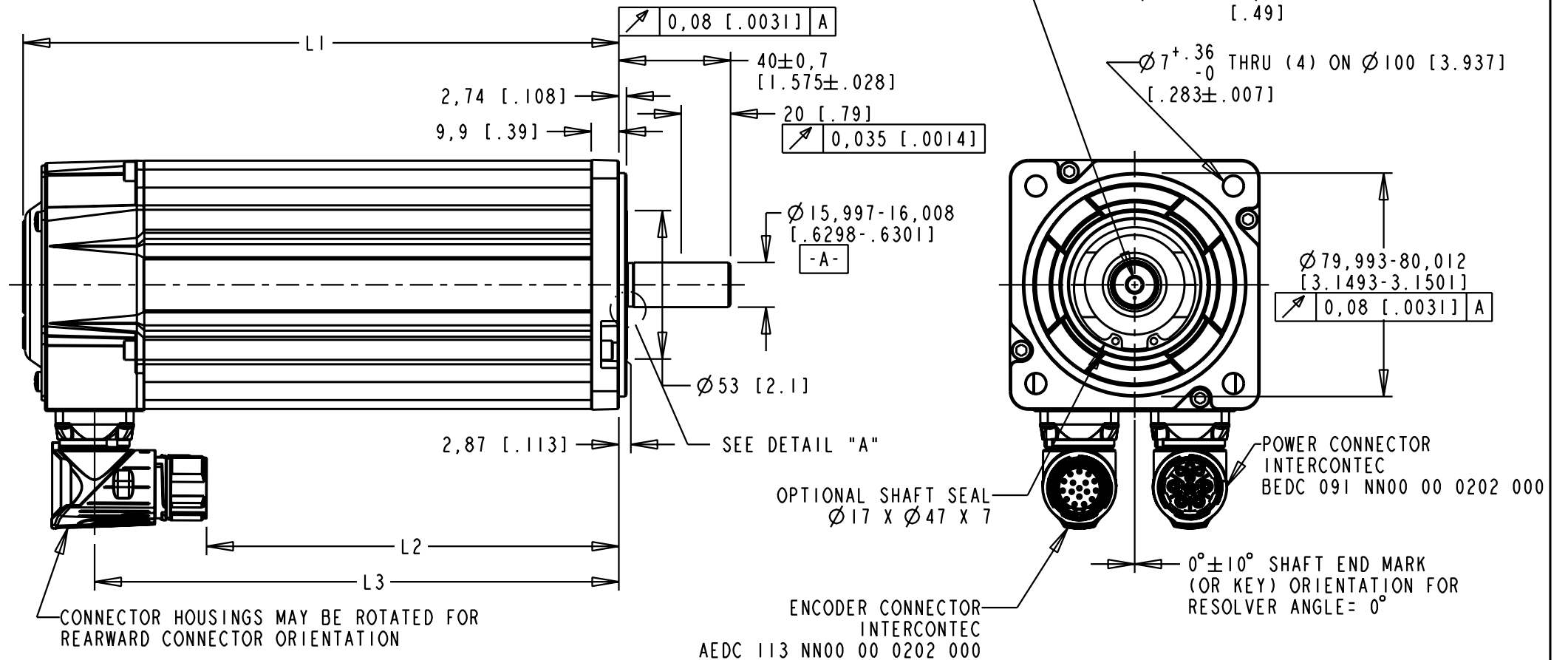


MODEL	L1	L2	L3
310	163 [6.40]	97 [3.81]	137 [5.39]
320	188 [7.40]	123 [4.81]	162 [6.39]
330	213 [8.40]	148 [5.81]	188 [7.39]

PIN-OUT POWER CONNECTOR		PIN-OUT RESOLVER CONNECTOR	
PIN	FUNCTION	PIN	FUNCTION
A	U	1	S2
B	V	2	S4
C	W	3	S1
D	GND	4	S3
E	-	5	R1
F	MBRK+	6	R2
G	MBRK-	7	-
H	-	8	-
L	-	9	-
		10-12	-
		13	TS +
		14	TS -
		15-17	-



NOTE: 1 DXF OF THIS DRAWING MUST BE SCALED TO LENGTH ON CHART (310, 320). MODEL SHOWN IS MPL-x330x-Rx74AA.

2. 3D STEP (.stp) FILES AVAILABLE AT ALL LENGTHS.

REFERENCES		DESCRIPTION	CAD DOCUMENT	
VERSION/ CHANGE NUMBER	UNLESS OTHERWISE SPECIFIED DO NOT SCALE DRAWING DIMENSIONS ARE IN MILLIMETERS WITH INCHES REFERENCED [X] UNTOLERANCED DIMENSIONS ARE REFERENCE 3RD ANGLE PROJECTION	MPL-x3xxx-Rx74AA, ESM	Allen-Bradley	
00	10005711	DR. D. HECKSEL	DATE 05/22/08	SHEET 1 OF 1
		DXF 2D OR STEP 3D FILE AVAILABLE		DWG. SIZE B
			DOCUMENT NUMBER	10000020712

Rockwell Automation

