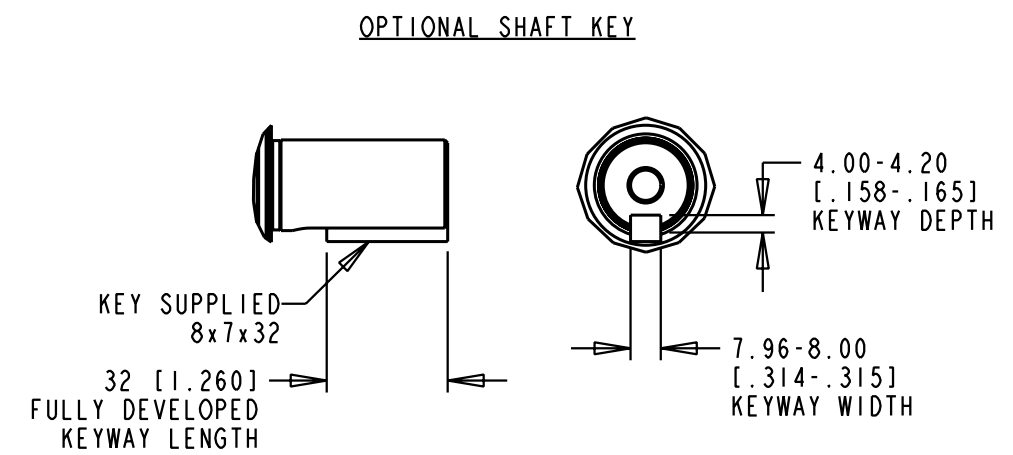
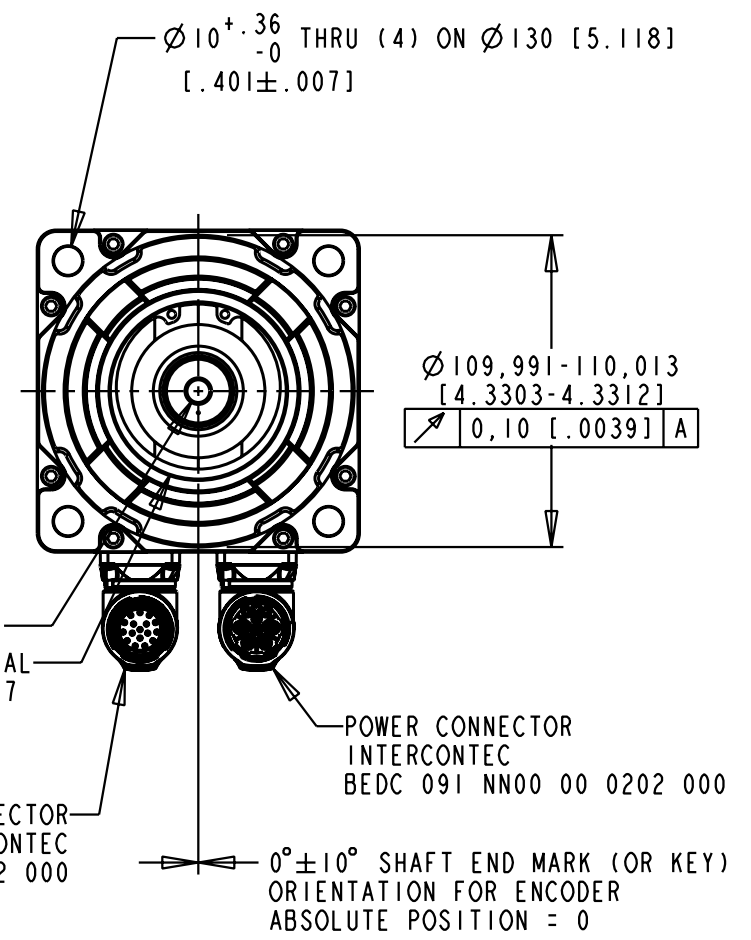
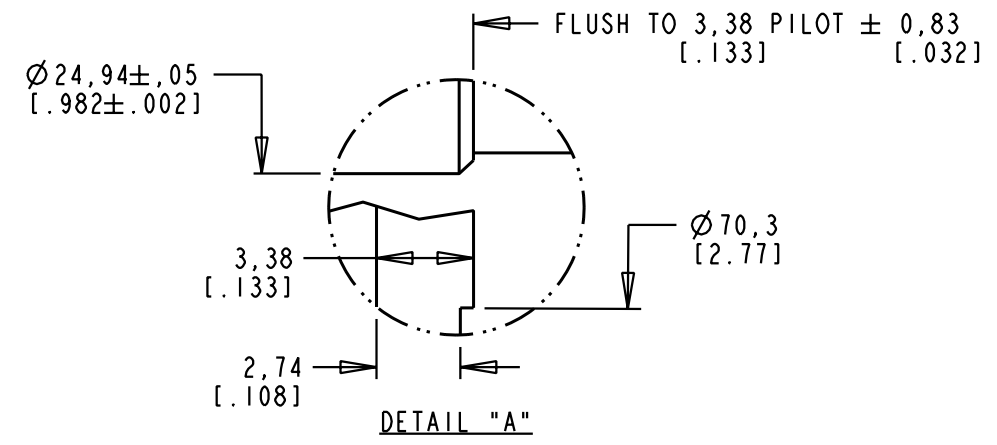
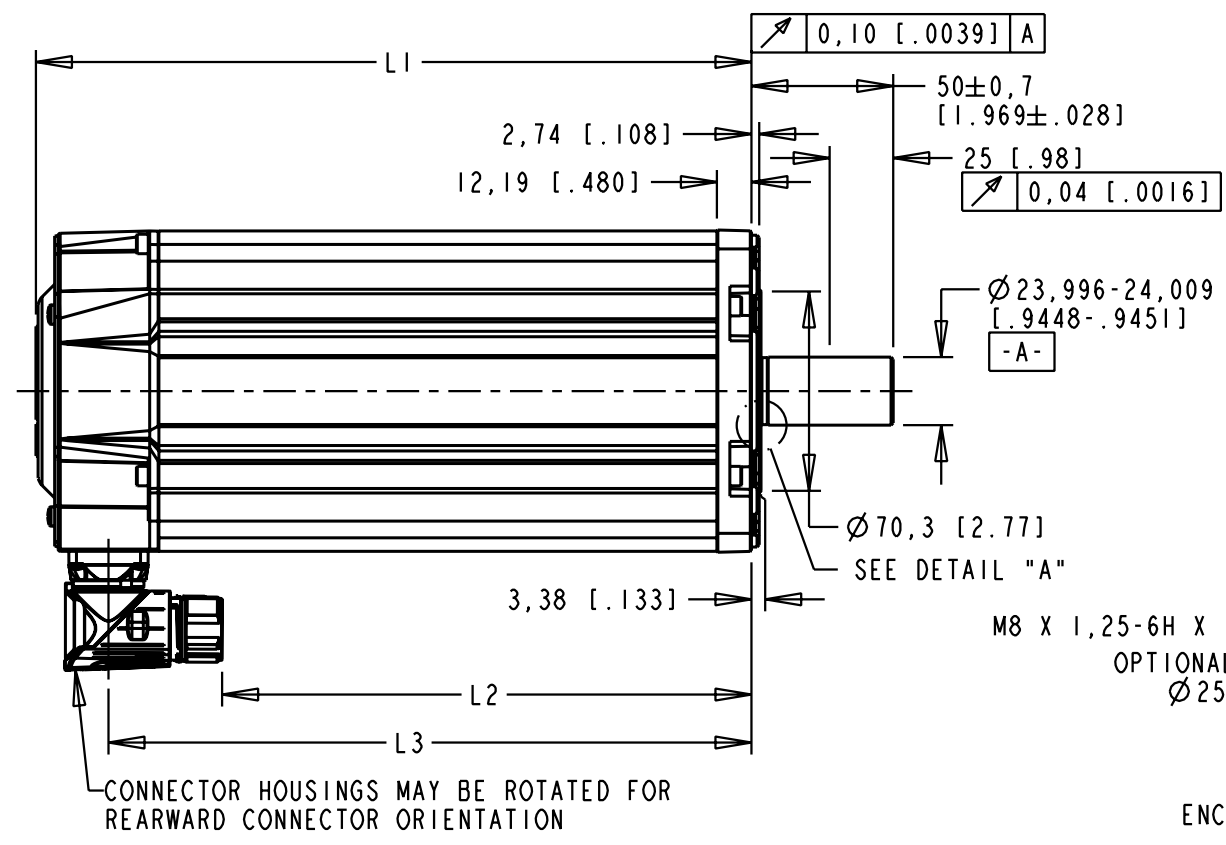


MODEL	L1	L2	L3
4530	227 [8.94]	161 [6.35]	201 [7.93]
4540	252 [9.94]	187 [7.35]	227 [8.93]
4560	303 [11.94]	237 [9.35]	278 [10.93]

PIN-OUT		PIN-OUT	
POWER CONNECTOR		ENCODER CONNECTOR	
PIN	FUNCTION	PIN	FUNCTION
A	U	1	SIN +
B	V	2	SIN -
C	W	3	COS +
D	GND	4	COS -
E	-	5	DATA +
F	MBRK+	6	DATA -
G	MBRK-	7-8	-
H	-	9	EPWR 5V
L	-	10	ECOM
		11-12	-
		13	TS +
		14	TS -
		15-17	-

- NOTE:
- DXF OF THIS DRAWING MUST BE SCALED TO LENGTH ON CHART (4530, 4560). MODEL SHOWN IS MPL-A4540x-xx74AA.
 - 3D STEP (.stp) FILES AVAILABLE AT ALL LENGTHS.
 - COVERS SINGLE AND MULTI-TURN ABSOLUTE ENCODER 230V MODELS (i.e., MPL-A45xx-Mx74AA and MPL-A45xx-Sx74AA).



REFERENCES		DESCRIPTION	CAD DOCUMENT	
VERSION/ CHANGE NUMBER	UNLESS OTHERWISE SPECIFIED DO NOT SCALE DRAWING DIMENSIONS ARE IN MILLIMETERS WITH INCHES REFERENCED [X] UNTOLERANCED DIMENSIONS ARE REFERENCE 3RD ANGLE PROJECTION	MPL-A45xxx-xx74AA, ESM	Allen-Bradley	
00 10005711				
		Rockwell Automation	SHEET 1 OF 1	
		DR. D. HECKSEL DATE 05/27/08		
		DXF 2D OR STEP 3D FILE AVAILABLE	DWG. SIZE B	DOCUMENT NUMBER 10000014304