

MODEL	L1	L2	L3
540	278 [10.95]	182 [7.18]	253 [9.98]
560	329 [12.95]	233 [9.18]	304 [11.98]

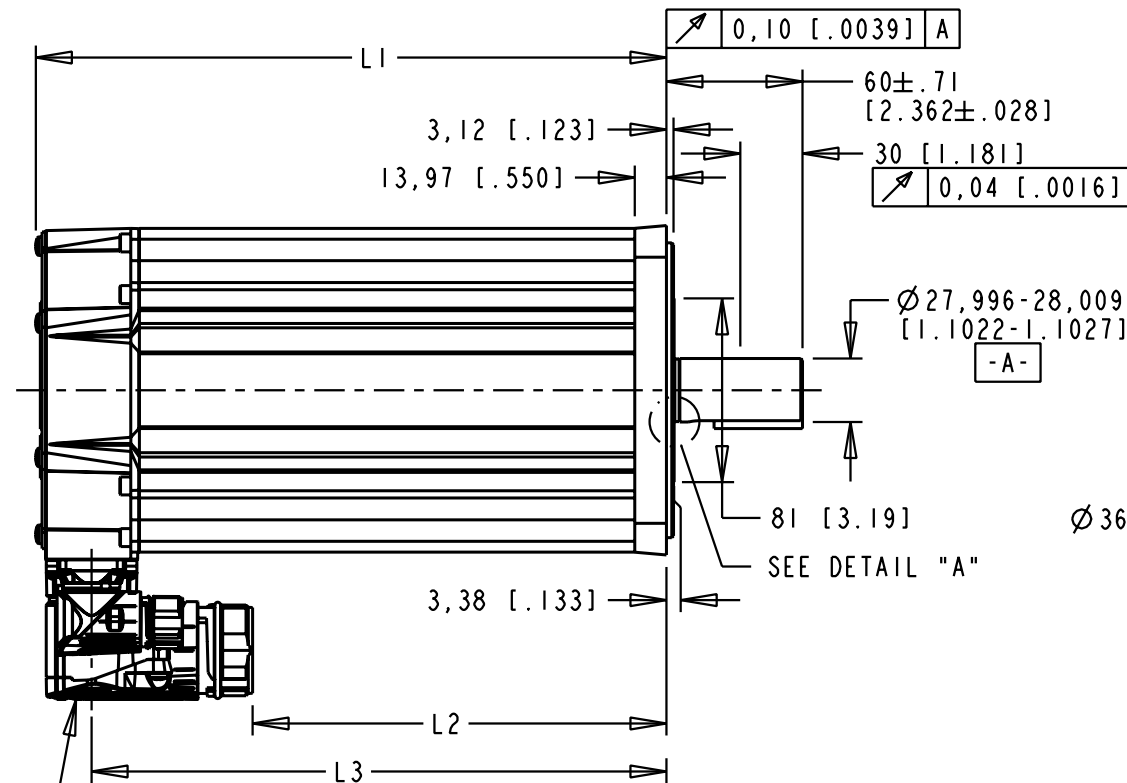
PIN-OUT	
POWER CONNECTOR	
PIN	FUNCTION
A	U
B	V
C	W
⊕	GND
+	MBRK+
-	MBRK-
1	-
2	-

PIN-OUT	
ENCODER CONNECTOR	
PIN	FUNCTION
1	SIN +
2	SIN -
3	COS +
4	COS -
5	DATA +
6	DATA -
7-8	-
9-10	-
11	EPWR 9V
12	ECOM
13	TS +
14	TS -
15-17	-

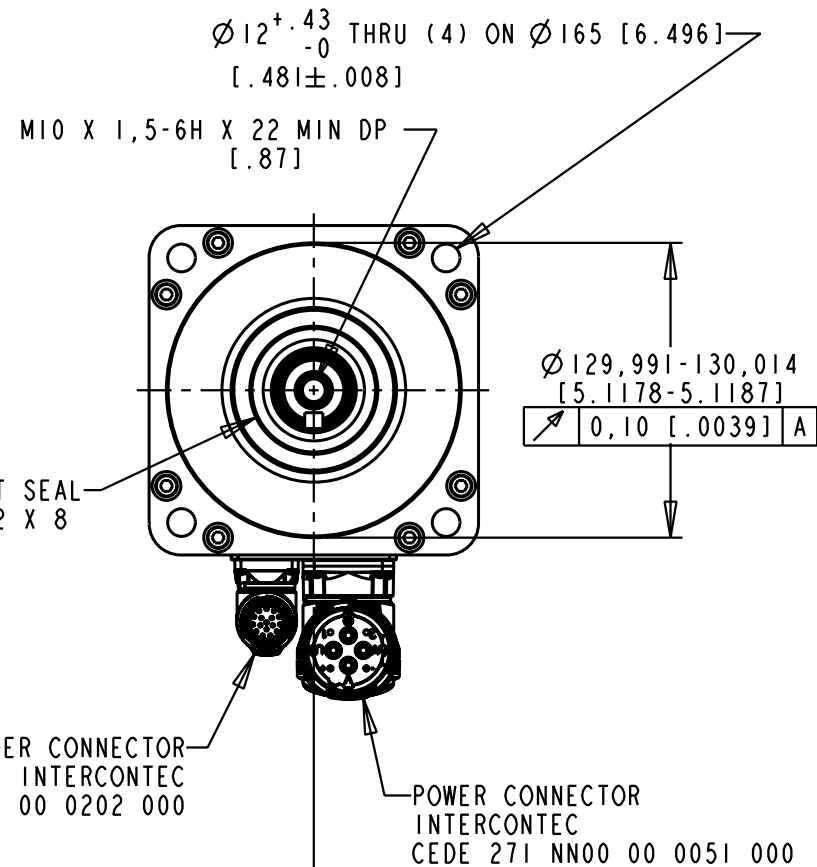
NOTE: 1 DXF OF THIS DRAWING MUST BE SCALED TO LENGTH ON CHART (560). MODEL SHOWN IS MPF-x540x-xJ74BA.

2. 3D STEP (.stp) FILES AVAILABLE AT ALL LENGTHS.

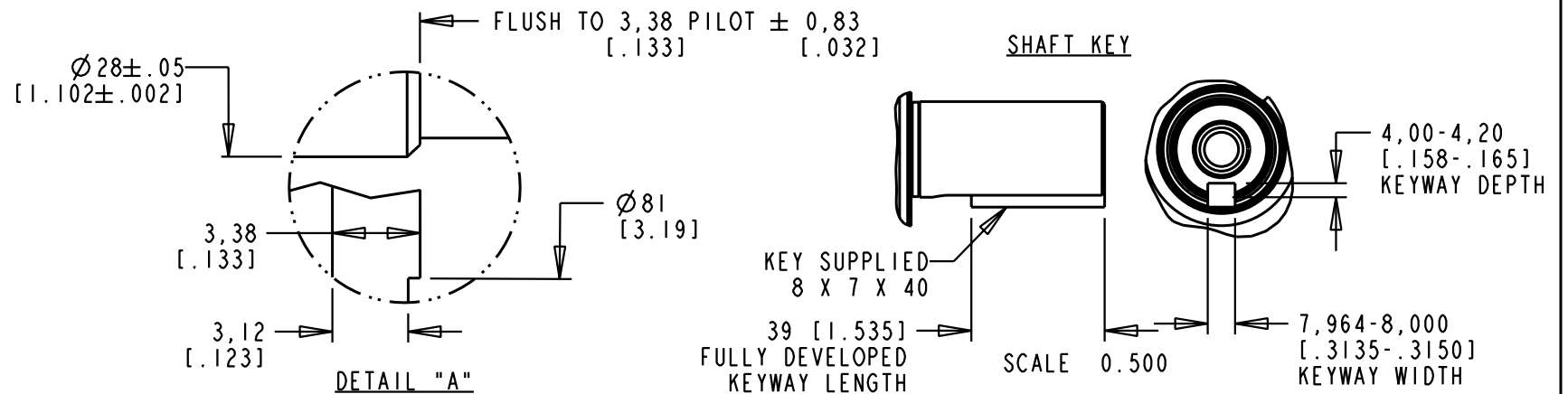
3. COVERS SINGLE AND MULTI-TURN ABSOLUTE ENCODER (i.e., MPF-x5xxx-MJ74BA and MPF-x5xxx-SJ74BA).



CONNECTOR HOUSINGS MAY BE ROTATED FOR REARWARD CONNECTOR ORIENTATION



0°±10° SHAFT END MARK (OR KEY) ORIENTATION FOR ENCODER ABSOLUTE POSITION = 0



REFERENCES		DESCRIPTION	CAD DOCUMENT	
VERSION/ CHANGE NUMBER	UNLESS OTHERWISE SPECIFIED DO NOT SCALE DRAWING DIMENSIONS ARE IN MILLIMETERS WITH INCHES REFERENCED (X) UNTOLERANCED DIMENSIONS ARE REFERENCE 3RD ANGLE PROJECTION	MPF-x5xxx-xJ74BA, ESM	Allen-Bradley 	
00 10005711		<b>Rockwell Automation</b>		
		DR. D. HECKSEL   DATE 05/30/08	SHEET 1	OF 1
		DXF 2D OR STEP 3D FILE AVAILABLE	DWG. SIZE B	DOCUMENT NUMBER 1000020834