

MODEL	L1	L2	L3
520	125 [4.92]	29 [1.15]	100 [3.95]
540	176 [6.92]	80 [3.15]	151 [5.95]
560	227 [8.92]	131 [5.15]	202 [7.95]

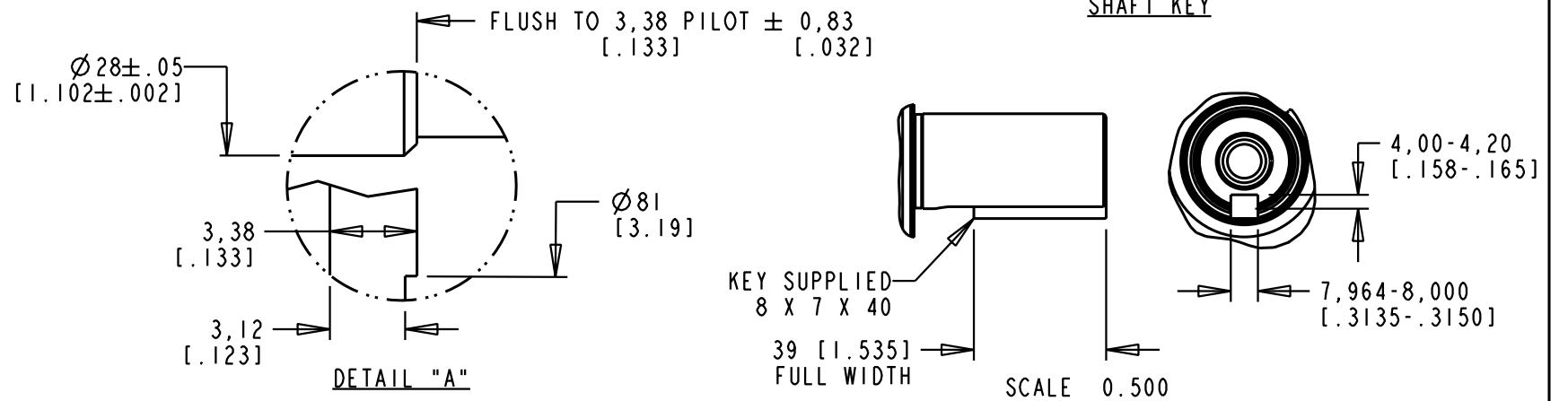
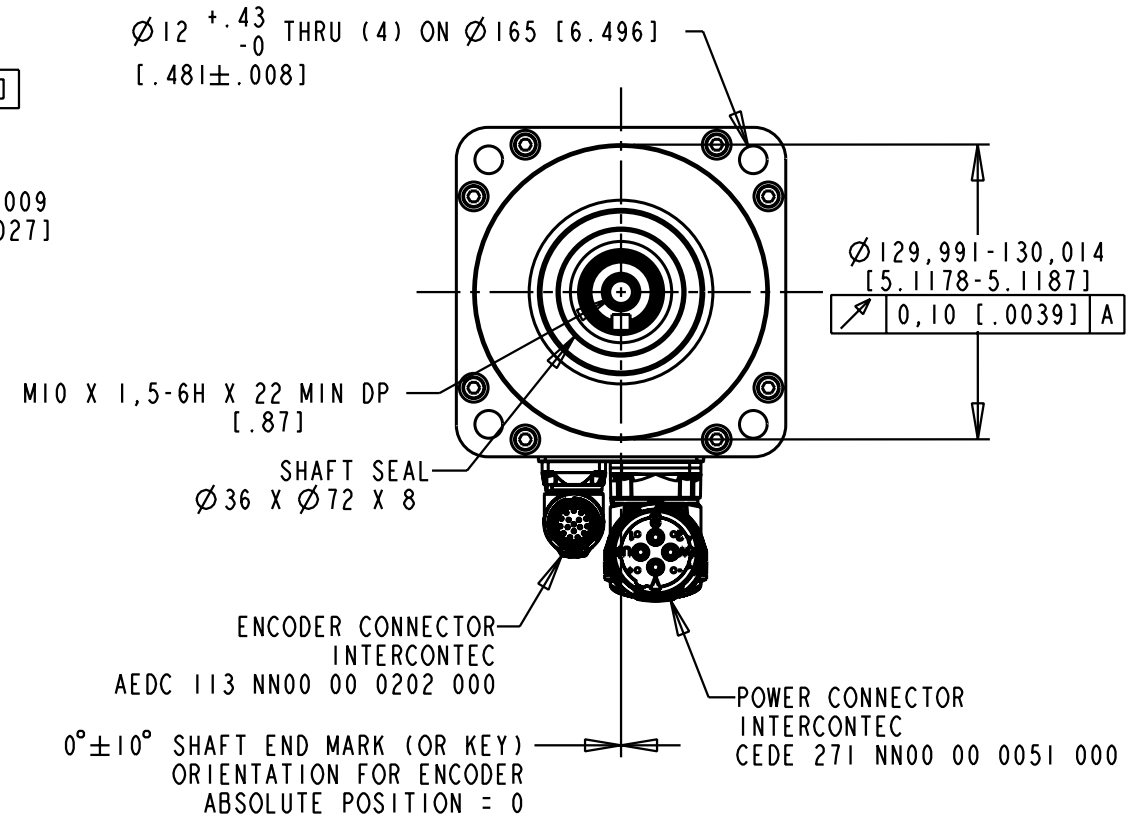
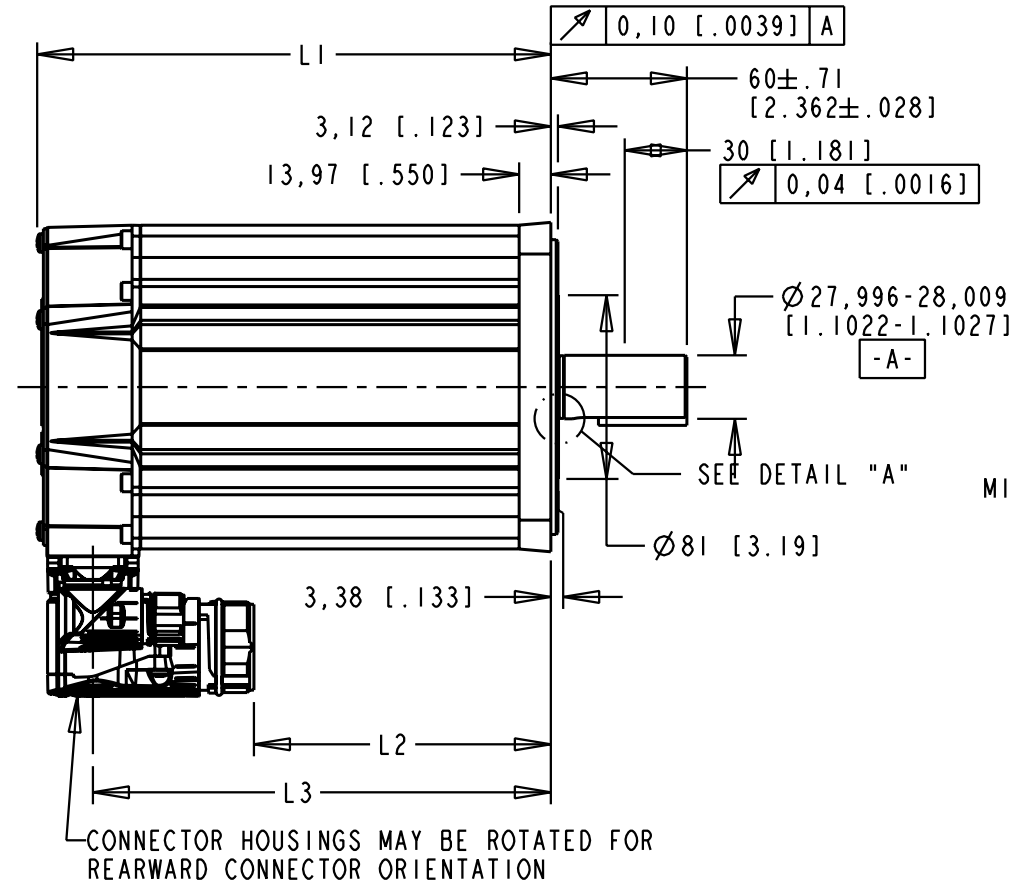
PIN-OUT	
POWER CONNECTOR	
PIN	FUNCTION
A	U
B	V
C	W
±	GND
+	-
-	-
1	-
2	-

PIN-OUT	
ENCODER CONNECTOR	
PIN	FUNCTION
1	SIN +
2	SIN -
3	COS +
4	COS -
5	DATA +
6	DATA -
7-8	-
9-10	-
11	EPWR 9V
12	ECOM
13	TS +
14	TS -
15-17	-

NOTE: 1 DXF OF THIS DRAWING MUST BE SCALED TO LENGTH ON CHART (520,540,) MODEL SHOWN IS MPF-x560x-xJ72AA.

2. 3D STEP (.stp) FILES AVAILABLE AT ALL LENGTHS.

3. COVERS SINGLE AND MULTI-TURN ABSOLUTE ENCODER (i.e., MPF-x5xxx-MJ72BA AND MPF-x5xxx-SJ72BA).



REFERENCES	
VERSION/CHANGE NUMBER	UNLESS OTHERWISE SPECIFIED
01	10005078
00	10003357

DO NOT SCALE DRAWING DIMENSIONS ARE IN MILLIMETERS WITH INCHES REFERENCED (X) UNTOLERANCED DIMENSIONS ARE REFERENCE 3RD ANGLE PROJECTION

DESCRIPTION	
MPF-x5xxx-xJ72BA, ESM	
Rockwell Automation	
DR. WKG	DATE 13 FEB 08
DXF 2D OR STEP 3D FILE AVAILABLE	

CAD DOCUMENT	
Allen-Bradley	
SHEET 1	OF 1
DWG. SIZE B	DOCUMENT NUMBER 10000014315