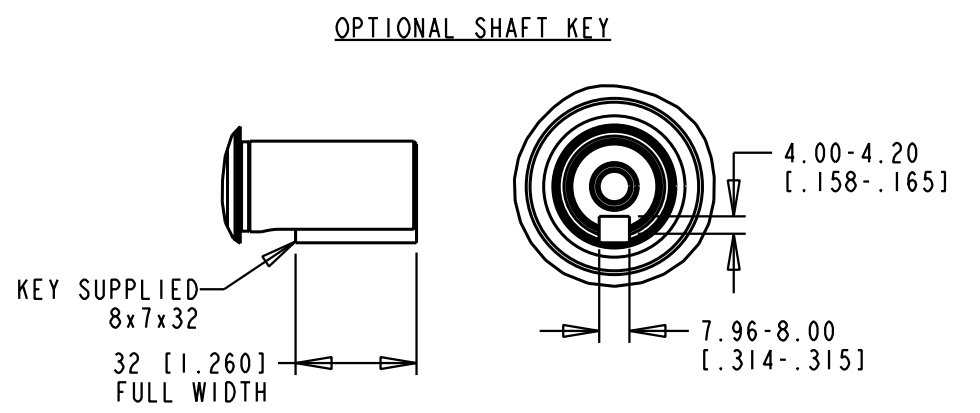
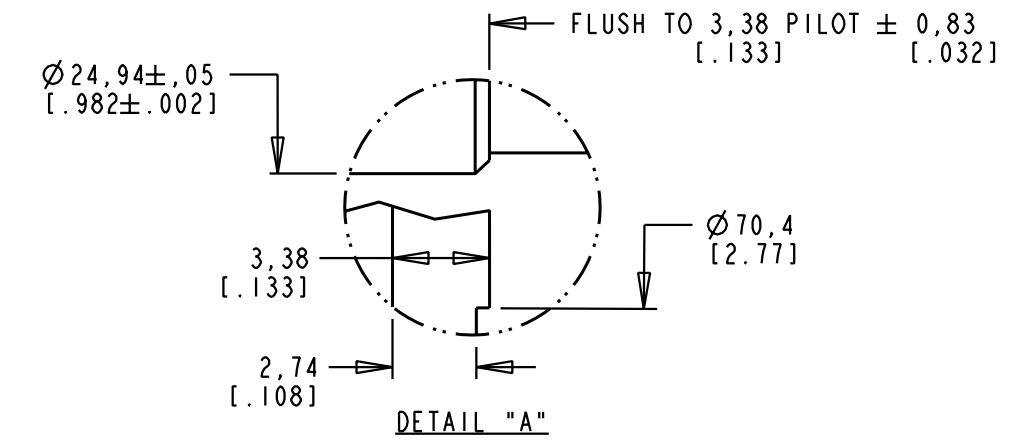


MODEL	L1	L2	L3
4520	176 [6.94]	111 [4.35]	151 [5.93]
4530	202 [7.94]	136 [5.35]	176 [6.93]
4540	227 [8.94]	161 [6.35]	201 [7.93]
4560	252 [9.94]	187 [7.35]	227 [8.93]

PIN-OUT ENCODER CONNECTOR	
PIN	FUNCTION
1	SIN +
2	SIN -
3	COS +
4	COS -
5	DATA +
6	DATA -
7-8	-
9-10	-
11	EPWR 9V
12	ECOM
13	TS +
14	TS -
15-17	-

PIN-OUT POWER CONNECTOR	
PIN	FUNCTION
A	U
B	V
C	W
D	GND
E	-
F	MBRK+
G	MBRK-
H	-
L	-

- NOTE:
- DXF OF THIS DRAWING MUST BE SCALED TO LENGTH ON CHART (4520, 4530, 4560) MODEL SHOWN IS MPF-B4540x-xJ74BA.
  - 3D STEP (.stp) FILES AVAILABLE AT ALL LENGTHS.
  - COVERS SINGLE AND MULTI-TURN ABSOLUTE ENCODER 460V MODELS (i.e., MPF-B45xxx-MJ74BA AND MPF-B45xxx-SJ74BA).



REFERENCES		DESCRIPTION		CAD DOCUMENT	
VERSION/ CHANGE NUMBER	DIMENSIONS APPLY BEFORE SURFACE TREATMENT DIMENSIONS IN INCHES TOLERANCES UNLESS OTHERWISE SPECIFIED .XX:± .01 .XXX:± .005 ANGLES:± 1° FRACTIONS:± 1/64"	MPF-B45xxx-xJ74BA, ESM		CONFIDENTIAL AND PROPRIETARY INFORMATION THIS DOCUMENT CONTAINS CONFIDENTIAL AND PROPRIETARY INFORMATION OF ROCKWELL AUTOMATION, INC. AND MAY NOT BE USED, COPIED OR DISCLOSED TO OTHERS, EXCEPT WITH THE AUTHORIZED WRITTEN PERMISSION OF ROCKWELL AUTOMATION, INC. PARTS MUST CONFORM TO APPLICABLE ROCKWELL AUTOMATION MANUFACTURING STANDARDS	
00	10003357	DR.	WKG	DATE	11 FEB 08
MATERIAL MASTER:				SHEET	1 OF 1
				DWG. SIZE	DOCUMENT NUMBER
				B	10000014314

**Rockwell Automation**