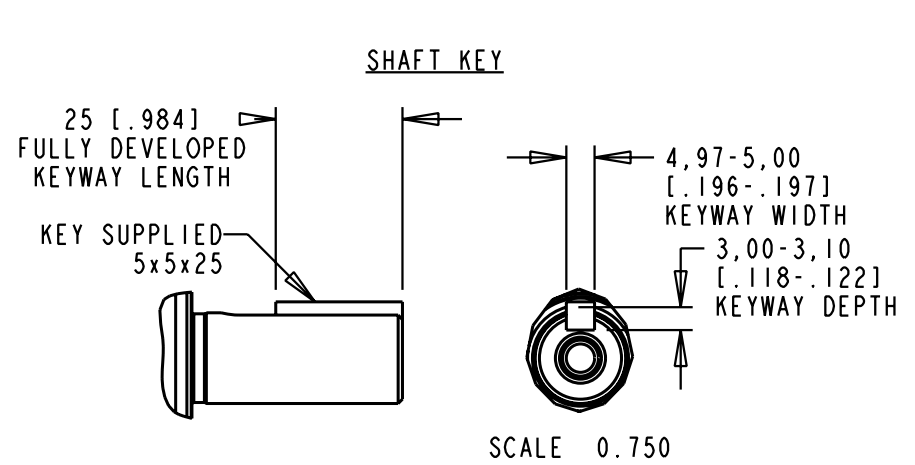
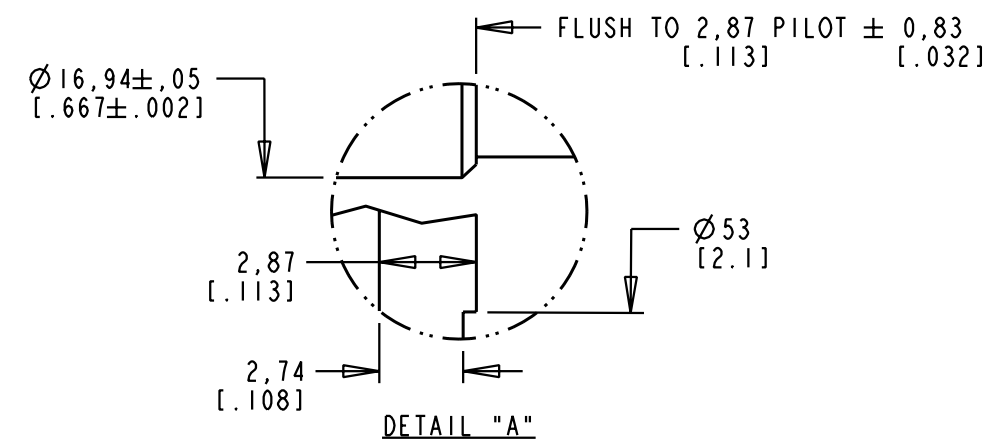


MODEL	L1	L2	L3
310	128 [5.04]	62 [2.45]	102 [4.03]
320	153 [6.04]	88 [3.45]	128 [5.03]
330	179 [7.04]	113 [4.45]	153 [6.03]

PIN-OUT		PIN-OUT	
POWER CONNECTOR		ENCODER CONNECTOR	
PIN	FUNCTION	PIN	FUNCTION
A	U	1	SIN +
B	V	2	SIN -
C	W	3	COS +
D	GND	4	COS -
E-H	-	5	DATA +
L	-	6	DATA -
		7-8	-
		9-10	-
		11	EPWR 9V
		12	ECOM
		13	TS +
		14	TS -
		15-17	-

- NOTE:
- DXF OF THIS DRAWING MUST BE SCALED TO LENGTH ON CHART (310, 320). MODEL SHOWN IS MPF-x330x-xJ72BA.
 - 3D STEP (.stp) FILES AVAILABLE AT ALL LENGTHS.
 - COVERS SINGLE AND MULTI-TURN ABSOLUTE ENCODER 460V MODELS (i.e., MPF-B3xxx-MJ72BA and MPF-B3xxx-SJ72BA).

CONNECTOR HOUSINGS MAY BE ROTATED FOR REARWARD CONNECTOR ORIENTATION



REFERENCES		DESCRIPTION	CAD DOCUMENT	
VERSION/ CHANGE NUMBER	UNLESS OTHERWISE SPECIFIED DO NOT SCALE DRAWING DIMENSIONS ARE IN MILLIMETERS WITH INCHES REFERENCED [X] UNTOLERANCED DIMENSIONS ARE REFERENCE 3RD ANGLE PROJECTION	MPF-B3xxx-xJ72BA, ESM	Allen-Bradley	
00	10005711	Rockwell Automation	SHEET 1 OF 1	
		DR. D. HECKSEL DATE 05/29/08	DWG. SIZE B DOCUMENT NUMBER 10000014312	
		DXF 2D OR STEP 3D FILE AVAILABLE		