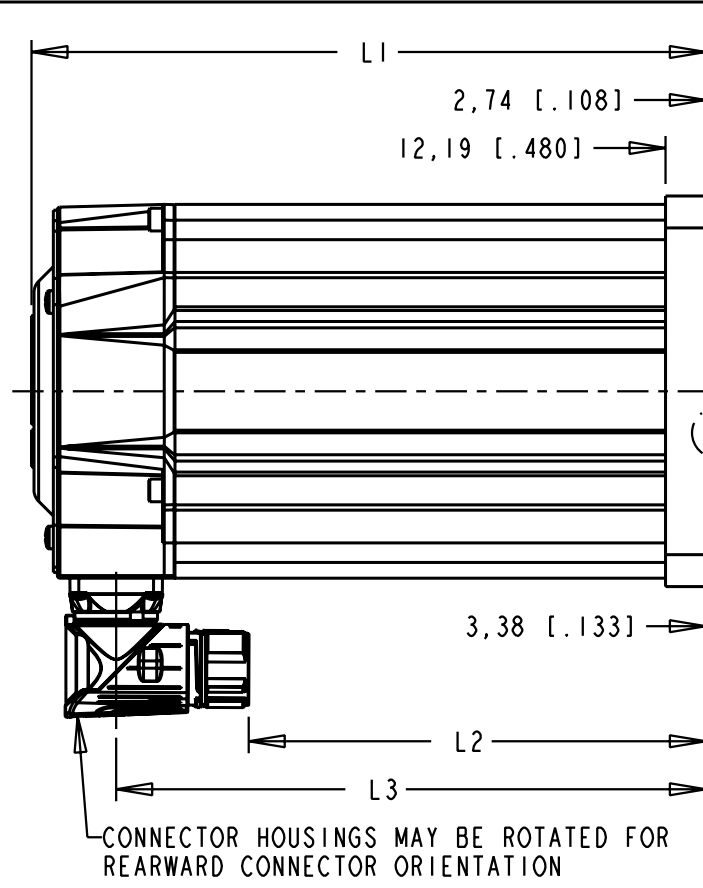
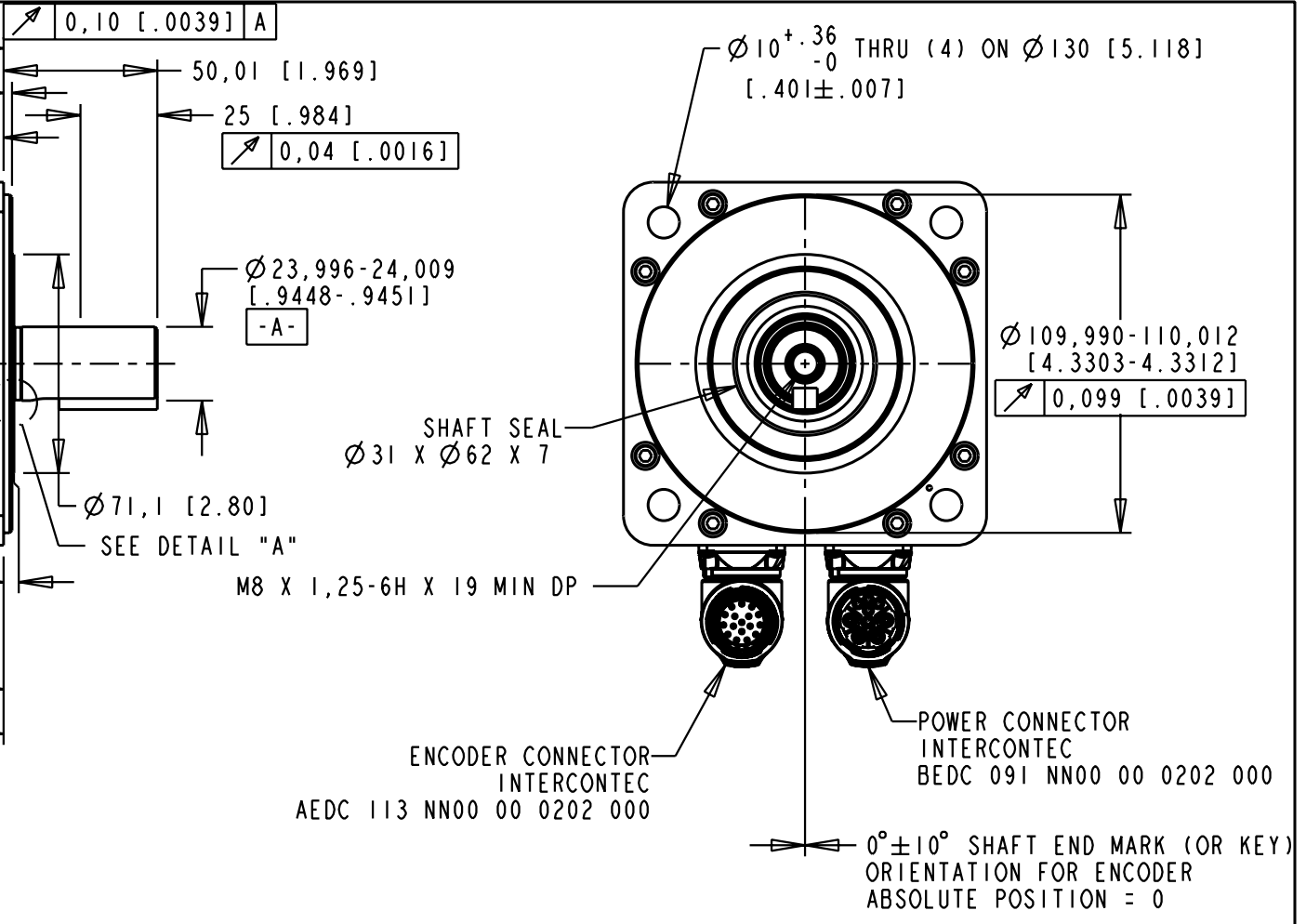


MODEL	L1	L2	L3
4530	179 [7.03]	113 [4.44]	153 [6.02]
4540	204 [8.03]	138 [5.44]	178 [7.02]

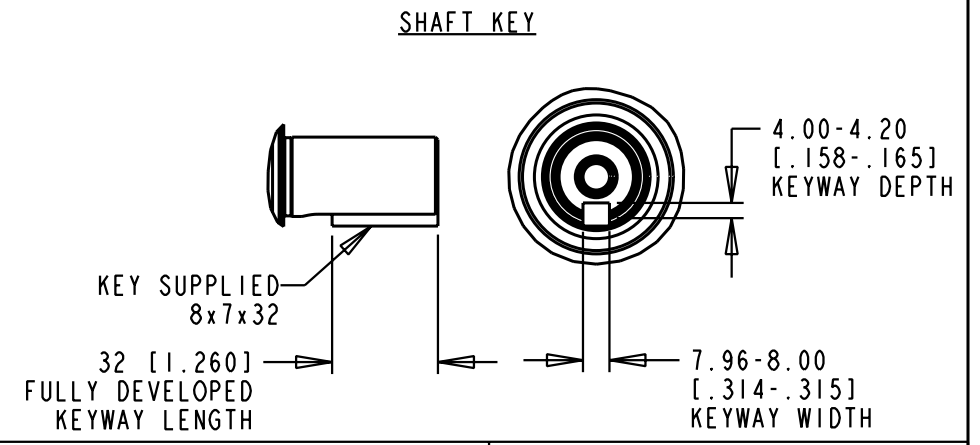
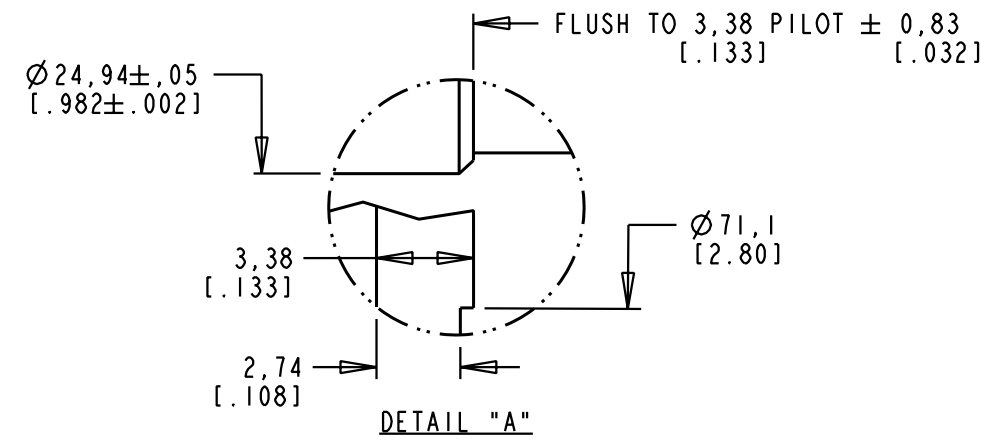


CONNECTOR HOUSINGS MAY BE ROTATED FOR REARWARD CONNECTOR ORIENTATION



PIN-OUT	
PIN	FUNCTION
A	U
B	V
C	W
D	GND
E-H	-
L	-

PIN-OUT	
PIN	FUNCTION
1	SIN +
2	SIN -
3	COS +
4	COS -
5	DATA +
6	DATA -
7-8	-
9-10	-
11	EPWR 5V
12	ECOM
13	TS +
14	TS -
15-17	-



- NOTE:
- DXF OF THIS DRAWING MUST BE SCALED TO LENGTH ON CHART (4530). MODEL SHOWN IS MPF-x4540x-xJ72BA.
 - 3D STEP (.stp) FILES AVAILABLE AT ALL LENGTHS.
 - COVERS SINGLE AND MULTI-TURN ABSOLUTE ENCODER 230V MODELS (i.e., MPF-A45xx-MJ72BA and MPF-A45xx-SJ72BA).

REFERENCES		DESCRIPTION	CAD DOCUMENT	
VERSION/ CHANGE NUMBER	UNLESS OTHERWISE SPECIFIED DO NOT SCALE DRAWING DIMENSIONS ARE IN MILLIMETERS WITH INCHES REFERENCED [X] UNTOLERANCED DIMENSIONS ARE REFERENCE 3RD ANGLE PROJECTION	MPF-A45xxx-xJ72BA, ESM	Allen-Bradley	
00	10005711	DR. D. HECKSEL	DATE 05/30/08	SHEET 1 OF 1
		DXF 2D OR STEP 3D FILE AVAILABLE	DWG. SIZE B	DOCUMENT NUMBER 10000020832

