

MODEL	L1	L2	L3
310	163 [6.40]	97 [3.81]	137 [5.39]
320	188 [7.40]	123 [4.81]	162 [6.39]
330	213 [8.40]	148 [5.81]	188 [7.39]

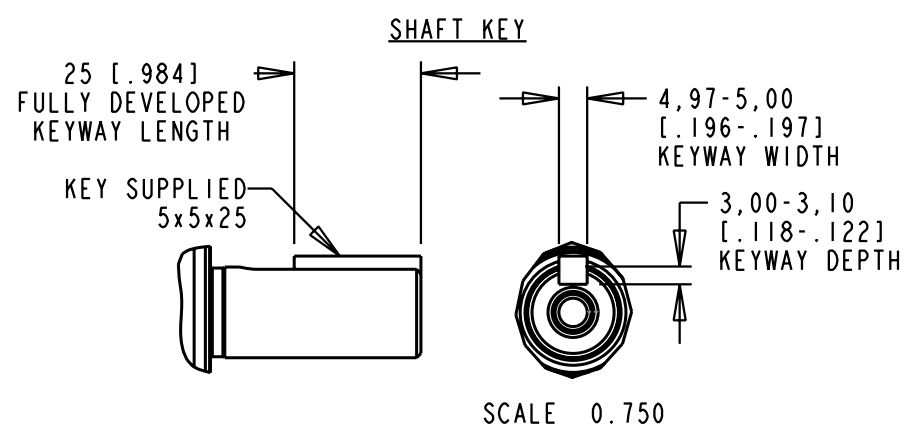
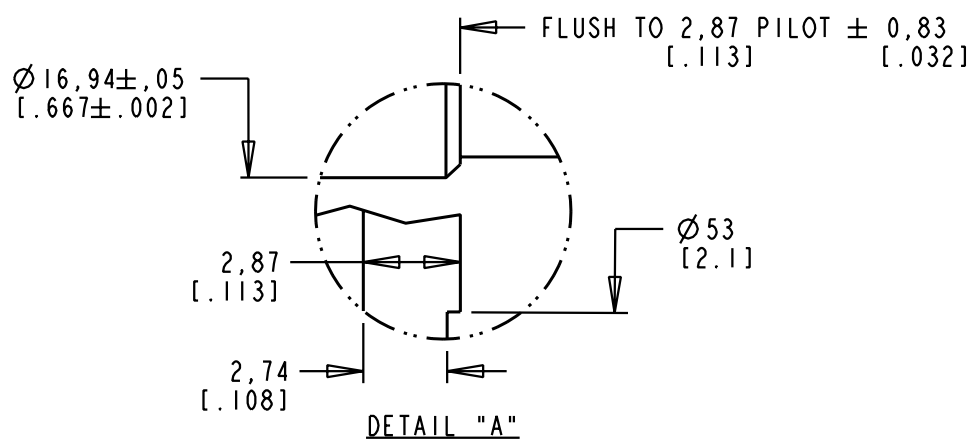
PIN-OUT		PIN-OUT	
POWER CONNECTOR		ENCODER CONNECTOR	
PIN	FUNCTION	PIN	FUNCTION
A	U	1	SIN +
B	V	2	SIN -
C	W	3	COS +
D	GND	4	COS -
E	-	5	DATA +
F	MBRK+	6	DATA -
G	MBRK-	7-8	-
H	-	9	EPWR 5V
L	-	10	ECOM
		11-12	-
		13	TS +
		14	TS -
		15-17	-

- NOTE:
- DXF OF THIS DRAWING MUST BE SCALED TO LENGTH ON CHART (310, 320). MODEL SHOWN IS MPF-x330x-xJ74BA.
  - 3D STEP (.stp) FILES AVAILABLE AT ALL LENGTHS.
  - COVERS SINGLE AND MULTI-TURN ABSOLUTE ENCODER 230V MODELS (i.e., MPF-A3xxx-MJ74BA and MPF-A3xxx-SJ74BA).

CONNECTOR HOUSINGS MAY BE ROTATED FOR REARWARD CONNECTOR ORIENTATION

ENCODER CONNECTOR INTERCONTEC AEDC 113 NN00 00 0202 000  
 POWER CONNECTOR INTERCONTEC BEDC 091 NN00 00 0202 000

0°±10° SHAFT END MARK (OR KEY) ORIENTATION FOR ENCODER ABSOLUTE POSITION = 0



REFERENCES		DESCRIPTION	CAD DOCUMENT	
VERSION/ CHANGE NUMBER	UNLESS OTHERWISE SPECIFIED DO NOT SCALE DRAWING DIMENSIONS ARE IN MILLIMETERS WITH INCHES REFERENCED (X) UNTOLERANCED DIMENSIONS ARE REFERENCE 3RD ANGLE PROJECTION	MPF-A3xxx-xJ74BA, ESM	Allen-Bradley	
00 10005711		<b>Rockwell Automation</b>		
		DR. D. HECKSEL	DATE 05/29/08	SHEET 1 OF 1
		DXF 2D OR STEP 3D FILE AVAILABLE	DWG. SIZE B	DOCUMENT NUMBER 10000020819