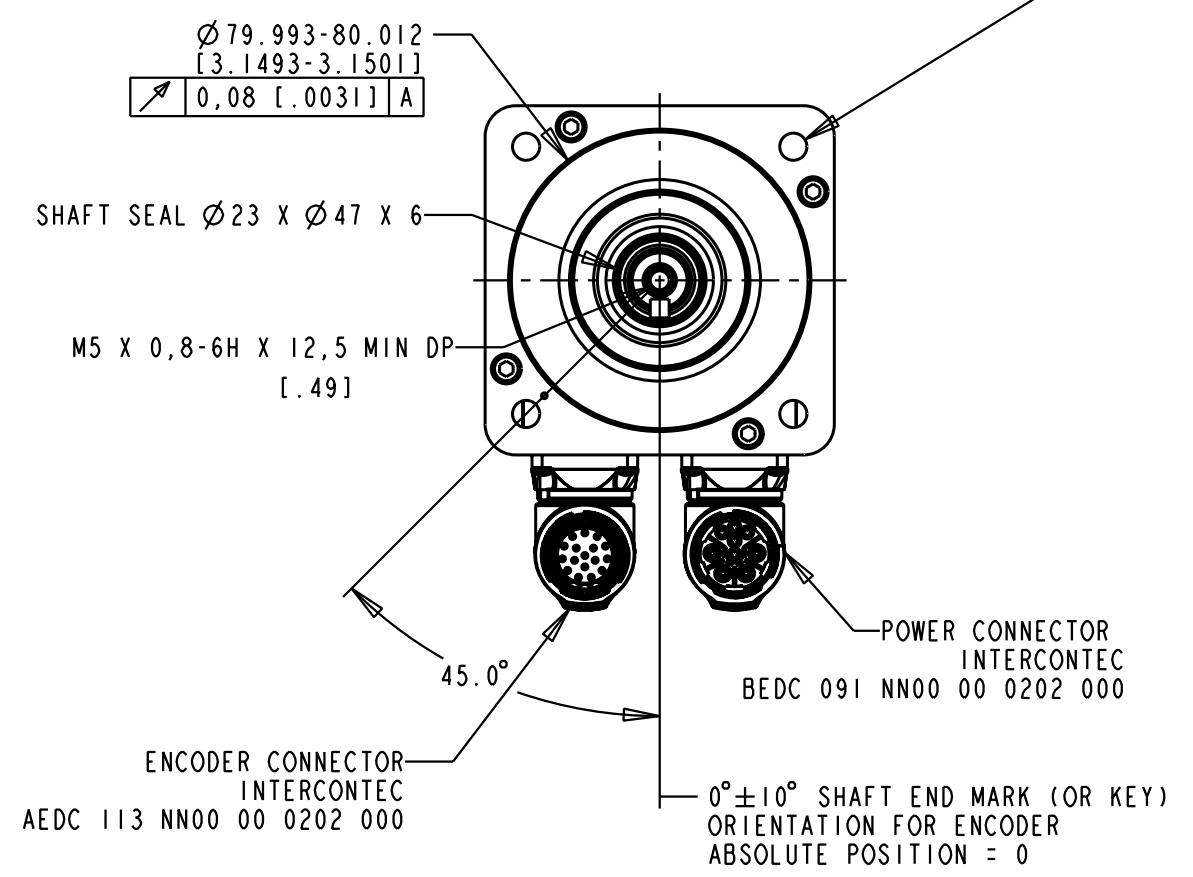
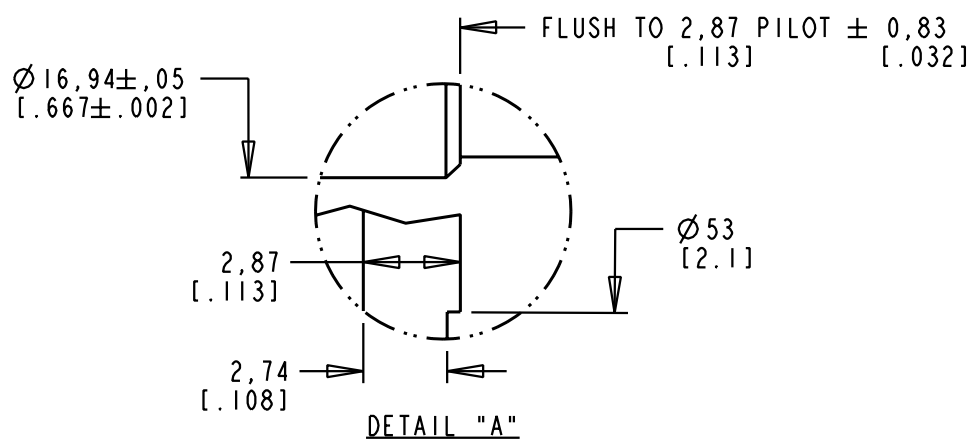


MODEL	L1	L2	L3
310	128 [5.04]	62 [2.45]	102 [4.03]
320	153 [6.04]	88 [3.45]	128 [5.03]
330	179 [7.04]	113 [4.45]	153 [6.03]

PIN-OUT	
POWER CONNECTOR	
PIN	FUNCTION
A	U
B	V
C	W
D	GND
E-H	-
L	-

PIN-OUT	
ENCODER CONNECTOR	
PIN	FUNCTION
1	SIN +
2	SIN -
3	COS +
4	COS -
5	DATA +
6	DATA -
7-8	-
9	EPWR 5V
10	ECOM
11-12	-
13	TS +
14	TS -
15-17	-

- NOTE:
- DXF OF THIS DRAWING MUST BE SCALED TO LENGTH ON CHART (310, 320). MODEL SHOWN IS MPF-x330x-xJ72BA.
 - 3D STEP (.stp) FILES AVAILABLE AT ALL LENGTHS.
 - COVERS SINGLE AND MULTI-TURN ABSOLUTE ENCODER 230V MODELS (i.e., MPF-A3xxx-MJ72BA and MPF-A3xxx-SJ72BA)



REFERENCES		DESCRIPTION		CAD DOCUMENT	
VERSION/ CHANGE NUMBER	DIMENSIONS APPLY BEFORE SURFACE TREATMENT DIMENSIONS IN INCHES TOLERANCES UNLESS OTHERWISE SPECIFIED	MPF-A3xxx-xJ72BA, ESM		CONFIDENTIAL AND PROPRIETARY INFORMATION THIS DOCUMENT CONTAINS CONFIDENTIAL AND PROPRIETARY INFORMATION OF ROCKWELL AUTOMATION, INC. AND MAY NOT BE USED, COPIED OR DISCLOSED TO OTHERS, EXCEPT WITH THE AUTHORIZED WRITTEN PERMISSION OF ROCKWELL AUTOMATION, INC.	
	.XX:± .01			PARTS MUST CONFORM TO APPLICABLE ROCKWELL AUTOMATION MANUFACTURING STANDARDS	
	.XXX:± .005			DR. WKG	DATE 11 FEB 08
	ANGLES:± 1°			DWG. SIZE	DOCUMENT NUMBER
00	FRACTIONS:± 1/64"	MATERIAL MASTER:		B	10000014311