

**SPECIFICATIONS:**

**1. MOTOR INFORMATION**

MOTOR TYPE: VARIABLE SPEED AC  
 FRAME SIZE: DL2010Y  
 RATING: 75 KW  
 VOLTAGE: 460  
 ENCLOSURE: TOTALLY ENCLOSED IP54  
 MOUNTING: FOOT  
 COOLING: BLOWER COOLED IC416  
 DRIVE METHOD: COUPLED OR BELTED  
 ACCESSORIES: ENCODER

**2. CONTINUOUS STALL TORQUE:** 482 Nm  
 MAX AT 155°C WINDING TEMPERATURE, IN A 40°C AMBIENT

**3. OPERATING SPEED:** 1500 BASE SPEED / 3000 RPM MAX.

**4. 1024 SINUSOID/REV ENCODER, WITH SINGLE-TURN ABSOLUTE POSITION DATA**

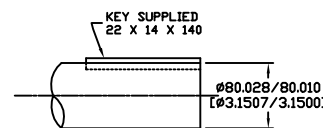
**5. FOR ADDITIONAL SPECIFICATIONS SEE L20M5164ESE**

**6. SHAFT HEIGHT WILL NOT BE EXCEEDED SHIMS UP TO 0.5 MM IN THICKNESS USUALLY REQUIRED FOR COUPLED OR GEARED MACHINES.**

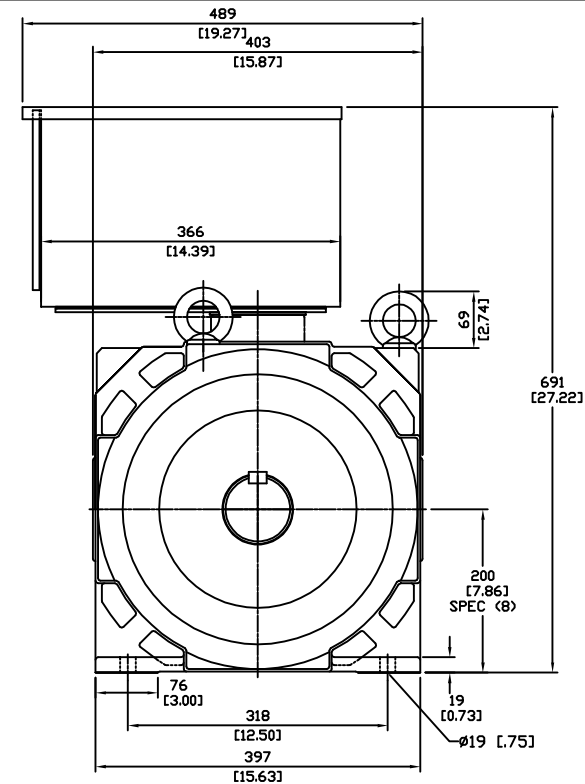
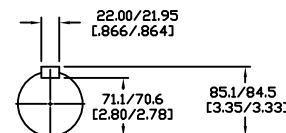
**7. SHAFT EXTENSIONS ARE ACCORDING TO DIN 748, TOLERANCES ARE BASED ON THE ISA FITTING SYSTEM USING k6 FOR DIAMETERS UP TO 50MM AND m6 FOR DIAMETERS ABOVE.**

**8. MAX SHAFT TIR .06 [.002] MAX FACE TIR .13 [.005]**

**9. MOTOR WEIGHT 531 KG. [1170 LBS] (MAY VARY 15%)**



DRIVE END SHAFT DETAIL SPEC (9)



BLOWER CONNECTION	
STAR CONNECTION	
LEAD	460 VOLTS
U1	R
V1	S
W1	T
U2	
V2	
W2	
GRN/YEL	GROUND
DELTA CONNECTION	
LEAD	230 VOLTS
U1	R
W2	
V1	S
U2	
W1	T
V2	
GRN/YEL	GROUND

PIN-OUT	
ENCODER CONNECTOR	FUNCTION
A	SIN +
B	SIN -
C	CDS +
D	CDS -
E	DATA +
F	DATA -
G-M	-
N	+9 VDC
P	COM
R	TS +
S	TS -
T-V	-

MOTOR CONNECTION	
TERMINAL BOX	
LEAD	SOURCE
U1	L1
V1	L2
W1	L3
GREEN	GROUND

NOTE: ALL DRAWING MODIFICATIONS REQUIRE CUSTOMER APPROVAL

REV	C/R	REVISION DESCRIPTION	DATE	BY
UNLESS OTHERWISE SPECIFIED		DRAWN BY	DATE	APPROVED BY
DO NOT SCALE DRAWING		GWS	3/01/06	WEM
DIMENSIONS ARE IN MILLIMETERS		CATALOG NO.		
WITH INCHES REFERENCED (X.X)		HPK-B2010C-SA42BA-ESM		
UNTOLERANCED DIMENSIONS ARE REFERENCE		PART NO.		
THIRD ANGLE PROJECTION		L20M5164		
Allen-Bradley		SCALE	DWG SIZE	SHEET
A&B		N/A	C	1 OF 1

DXF FILE AVAILABLE

