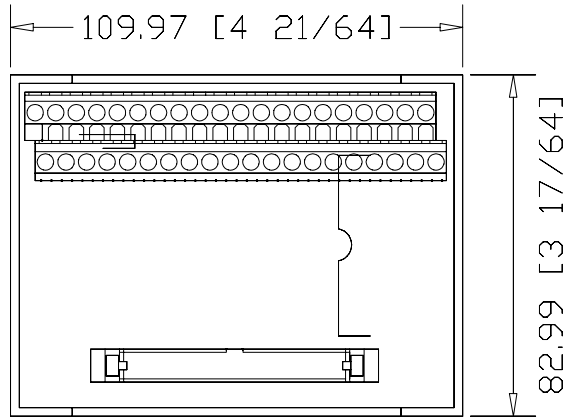


1492-IFM40F
40-POINT DIGITAL IFM, STANDARD



* For 1492-RIFM modules, add 10 [0.3937] to width

