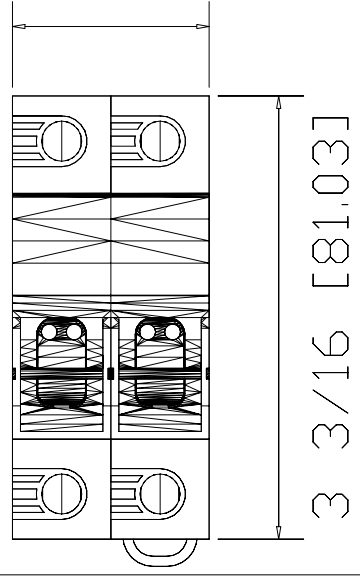
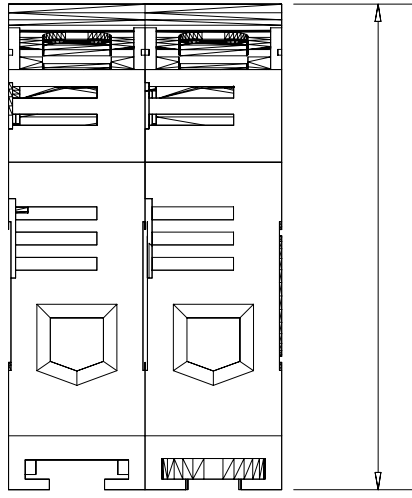


1 27/64 [36.00]



1492-FB2M30*
Fuser Holder, 1-pole
Midget Class



2 33/64 [64.01]

