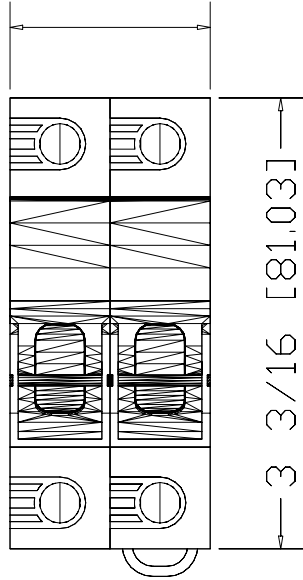
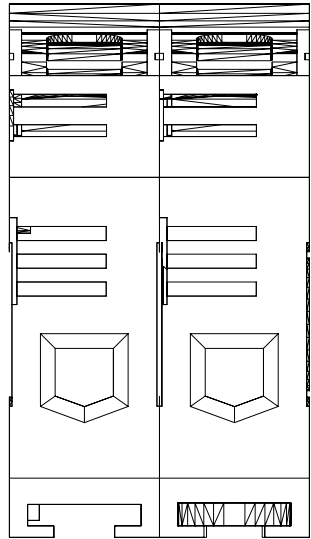


1 27/64 [36.00]



1492-FB2C30*
Fuse Holder, 2-pole
CC Class



2 33/64 [64.01]

