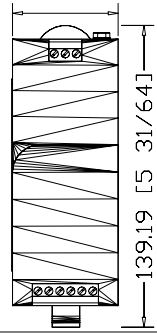
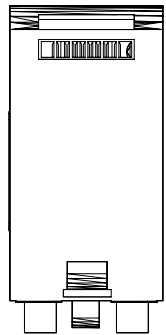
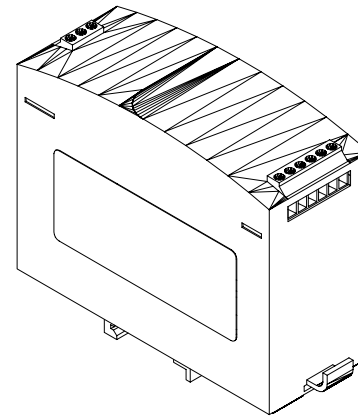


48.77 [1 59/64]



139.19 [5 31/64]

4983-DC*-03/05
DIN Mount Filter
120/240V, 3/5 Amp



103.82 [4 3/32]