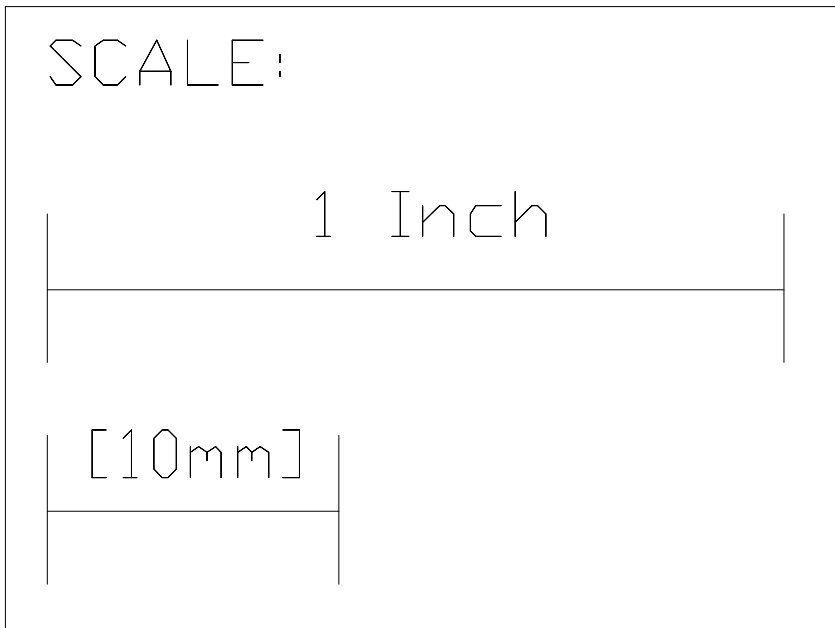


SCALE:

1 Inch

[10mm]

A technical drawing scale bar. It consists of a horizontal line with vertical end caps. Above the line is the text "1 Inch". Below the line is the text "[10mm]".