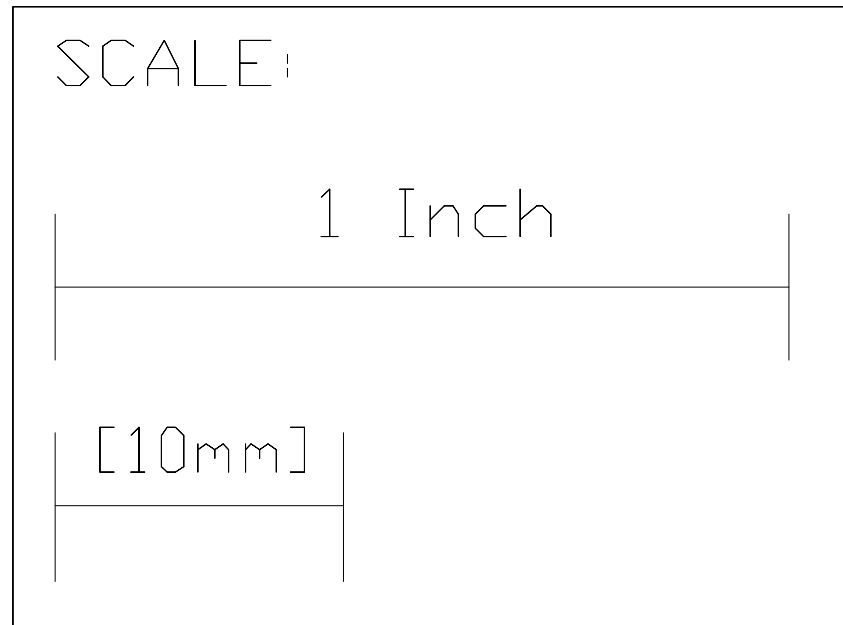
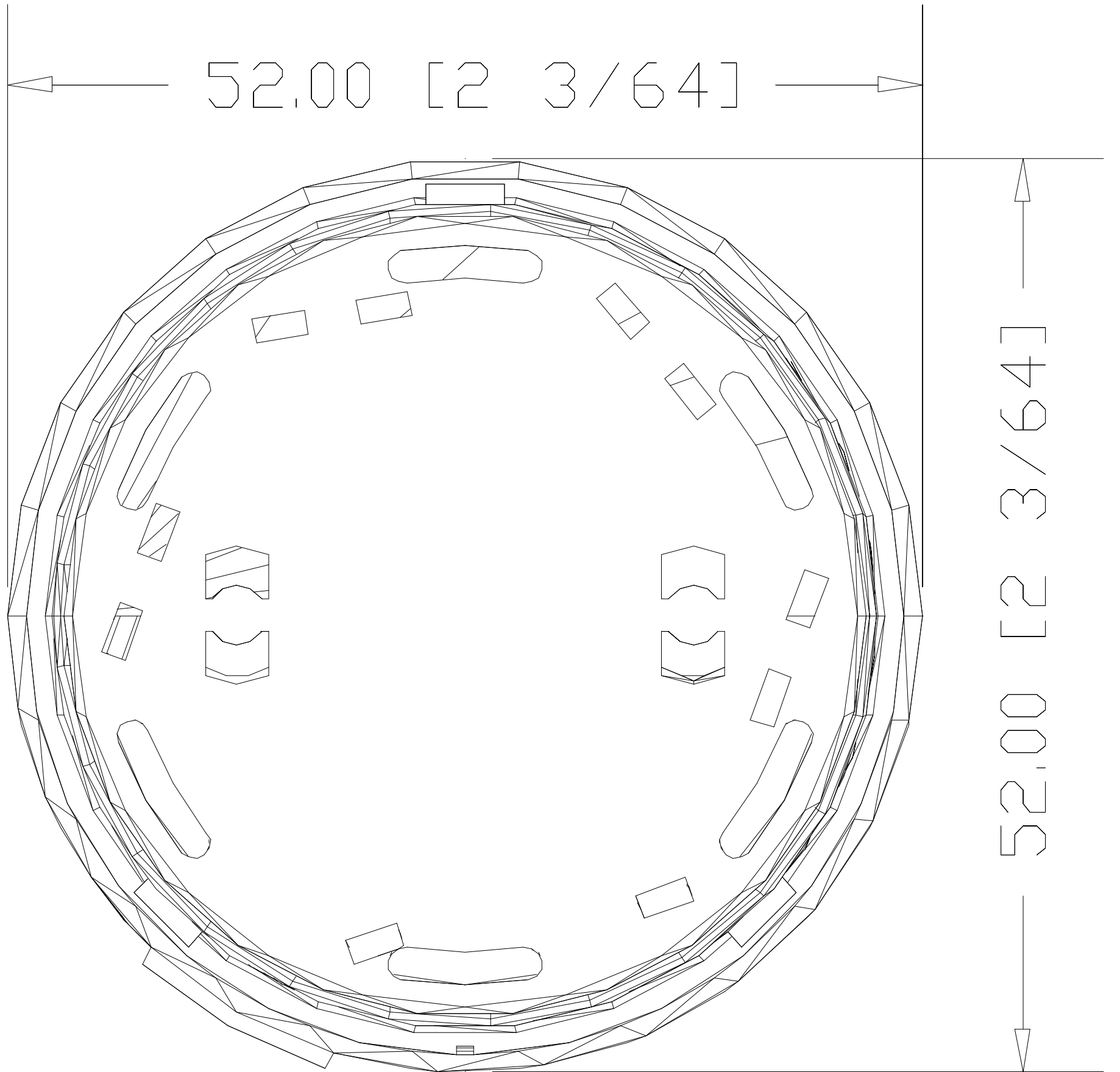


SCALE:

1 Inch

[10mm]

A technical drawing scale box. It contains the text "SCALE:" at the top. Below it is a horizontal line with vertical end caps, labeled "1 Inch". Below that is another horizontal line with vertical end caps, labeled "[10mm]".

52.00 [2 3/64]

52.00 [2 3/64]