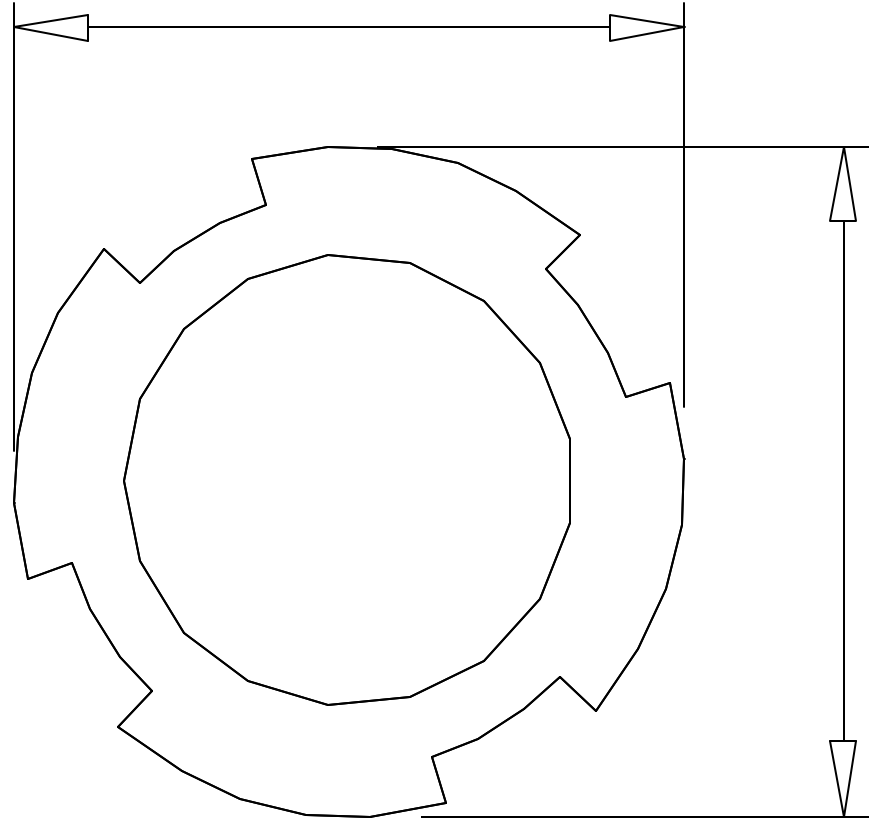
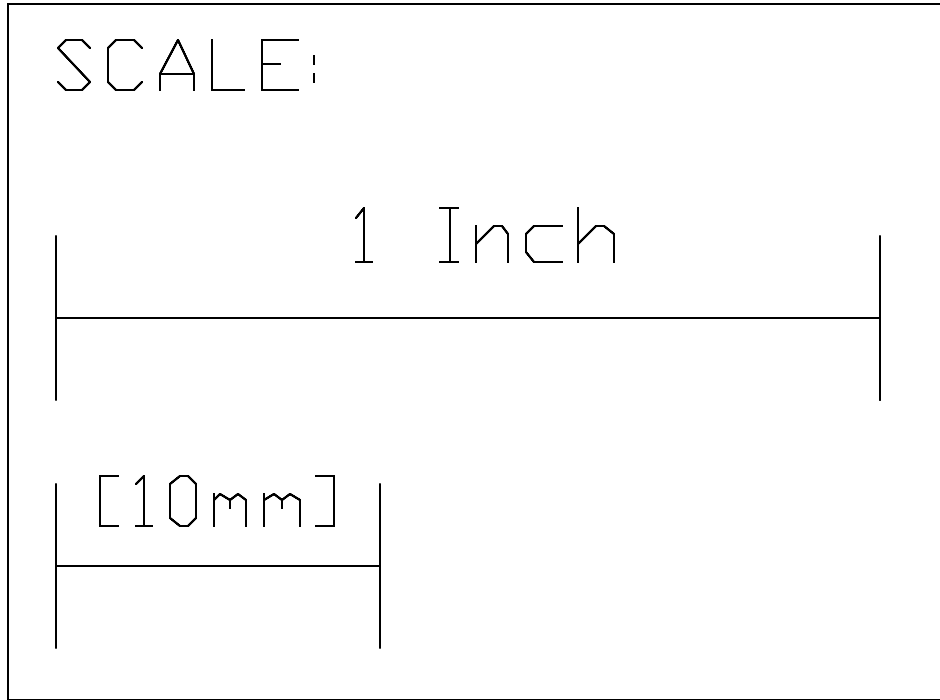


13/16 [20.59]



13/16 [20.57]