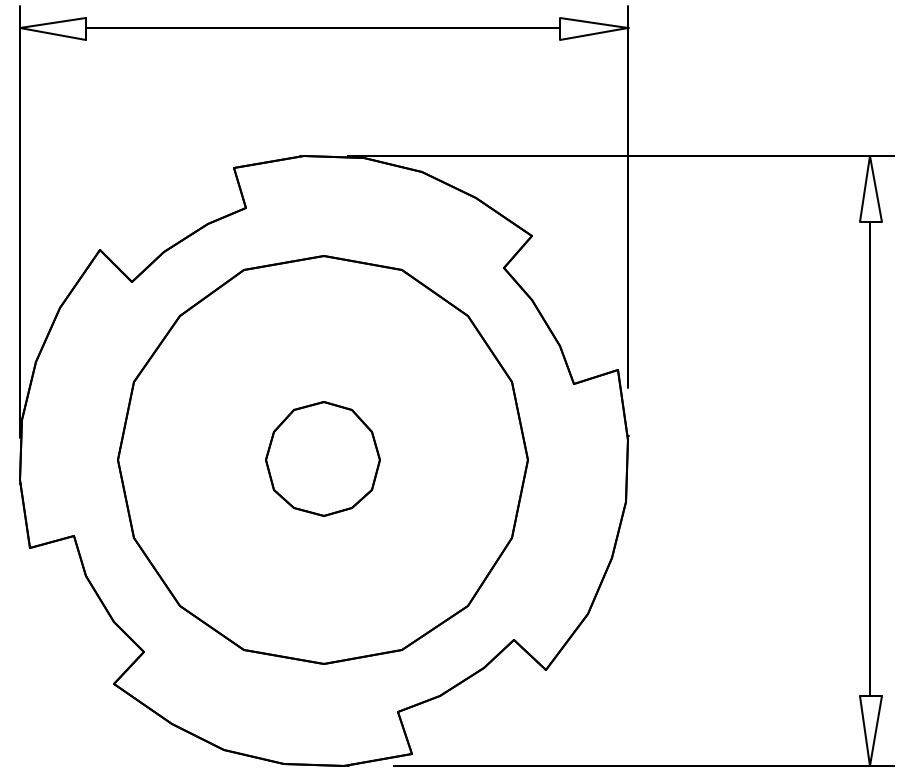


$13/16$ [20.55]



$13/16$ [20.57]