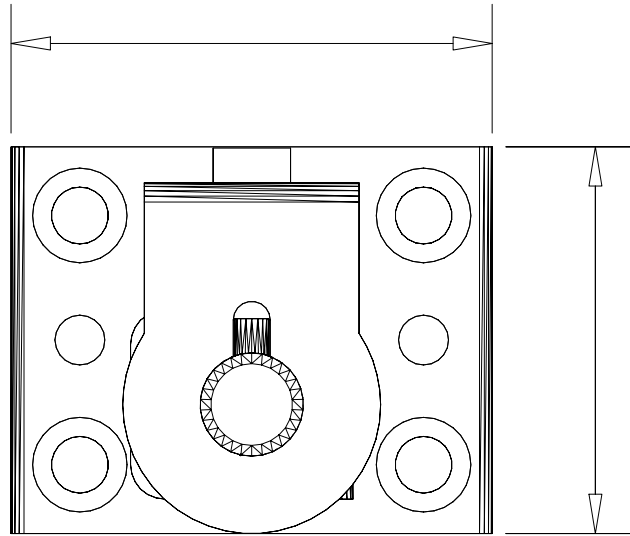


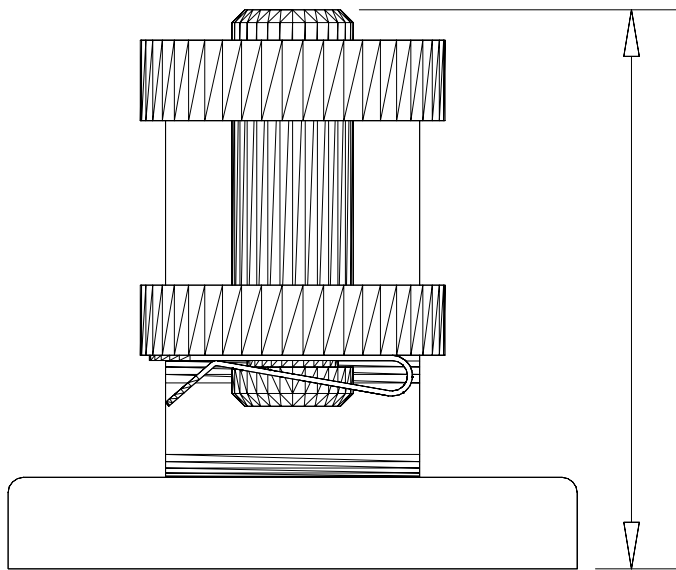
56.00 [2 13/64]



45.00 [1 49/64]

MPAR-NA31769

Right angle clevis
foot, 40



55.00 [2 11/64]

