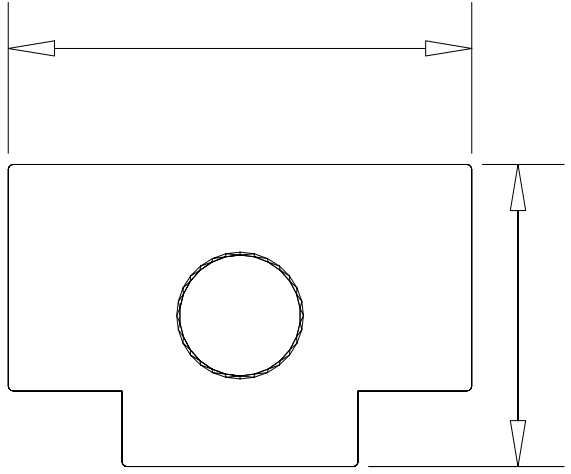


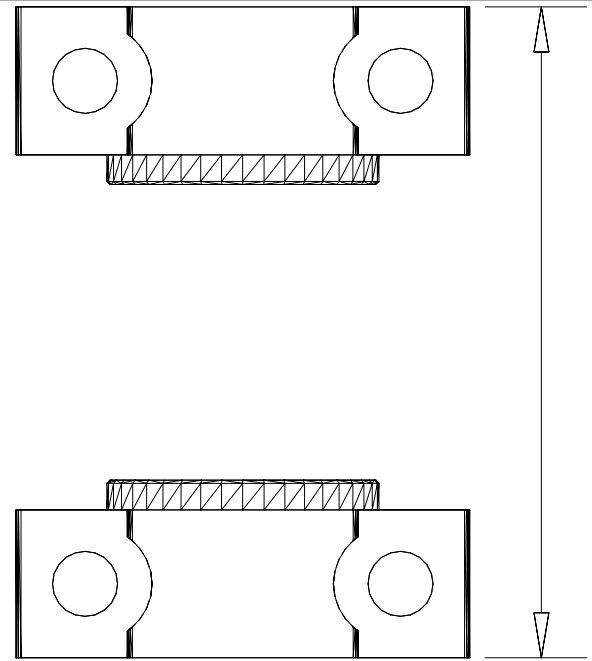
46.00 [1 13/16]



30.00 [1 3/16]

MPAR-NA161874

Trunnion support,
Steel, 32



66.00 [2 19/32]

