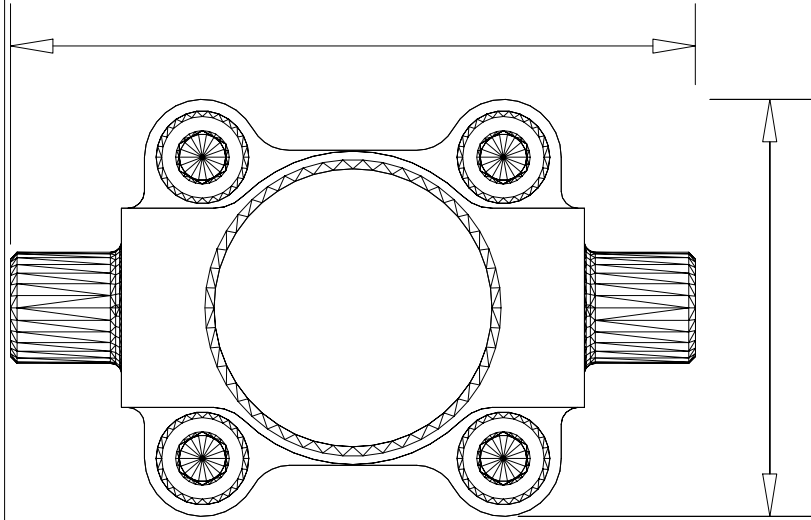
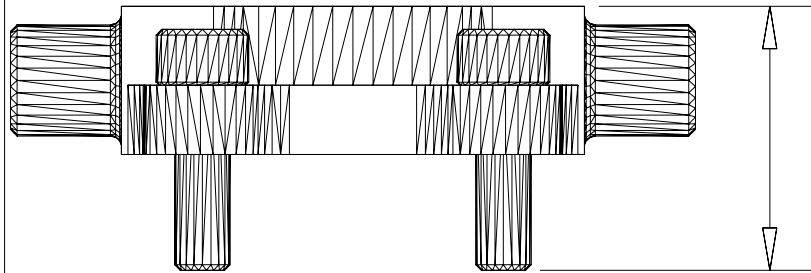


73.94 [2 29/32]



45.00 [1 49/64]



28.50 [1 1/8]

MPAR-NA174411

Trunnion flange, Sp.
steel, 32

