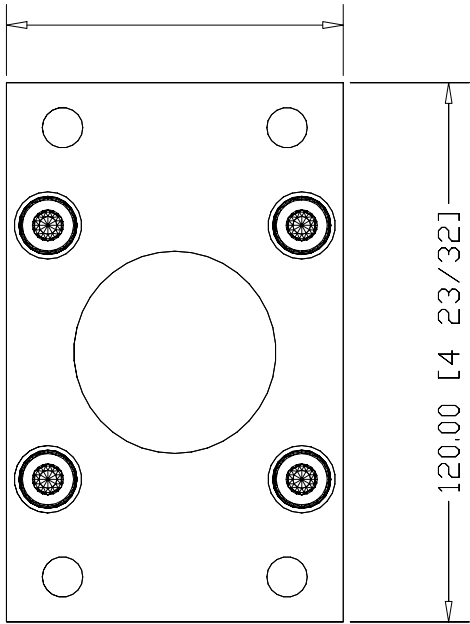


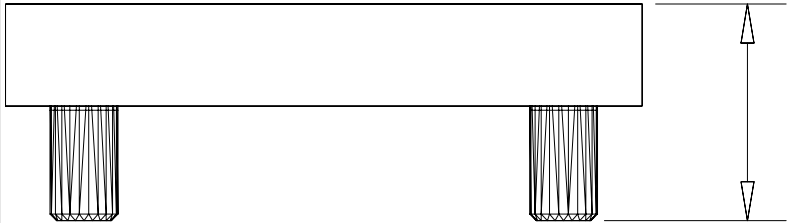
75.00 [2 61/64]



120.00 [4 23/32]

MPAR-NA161849

Flange mounting, Alloy
steel, 63



25.50 [1]

