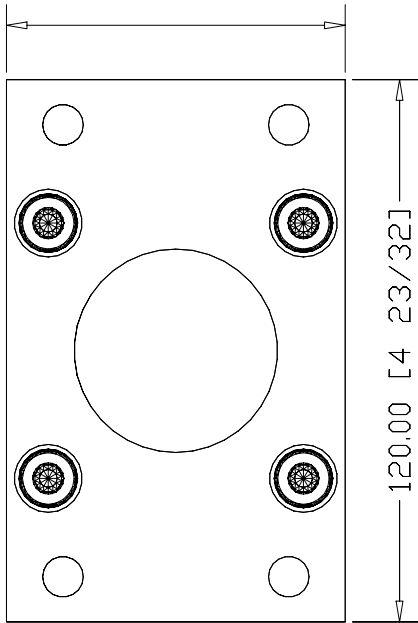


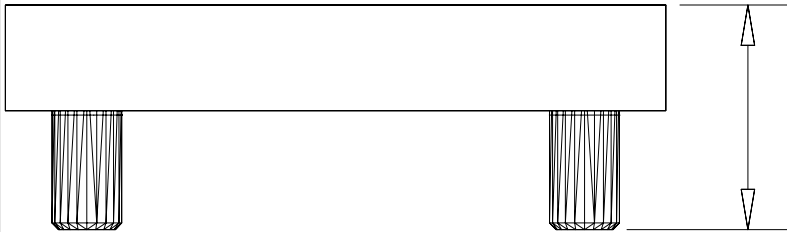
75.00 [2 61/64]



120.00 [4 23/32]

MPAR-NA174379

Flange mounting, Galv.
steel, 63



25.50 [1]

