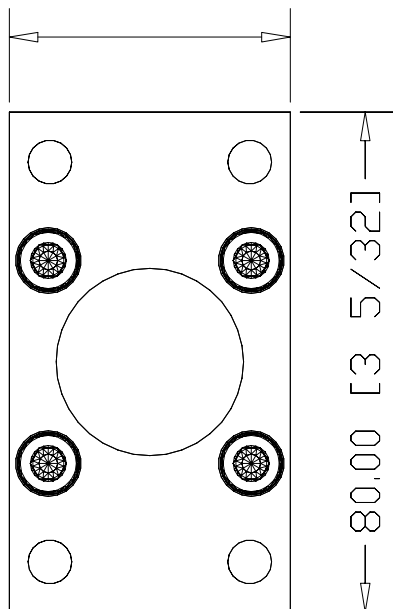


45.00 [1 49/64]



MPAR-NA174376  
Flange mounting, Galv.  
steel, 32

