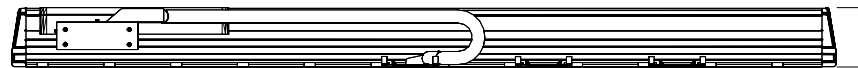
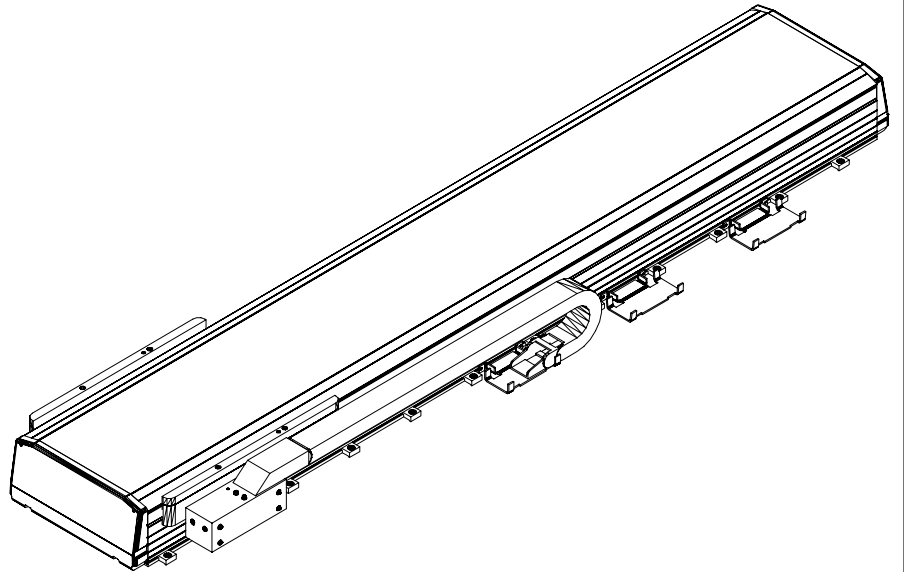


334.79 [13 3/16]



105.40 [4 5/32]



MPAS-B9104L-ALMS2C  
MP Linear Stage,  
Frame 250, 460v,  
1040mm Stroke Length,  
Incremental Encoder,  
LC 75X200 Motor Coil,  
with Cover