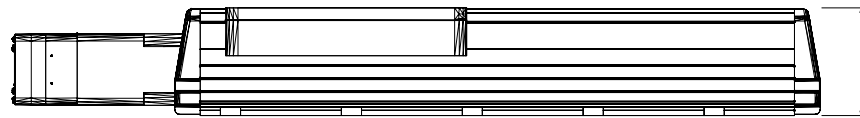
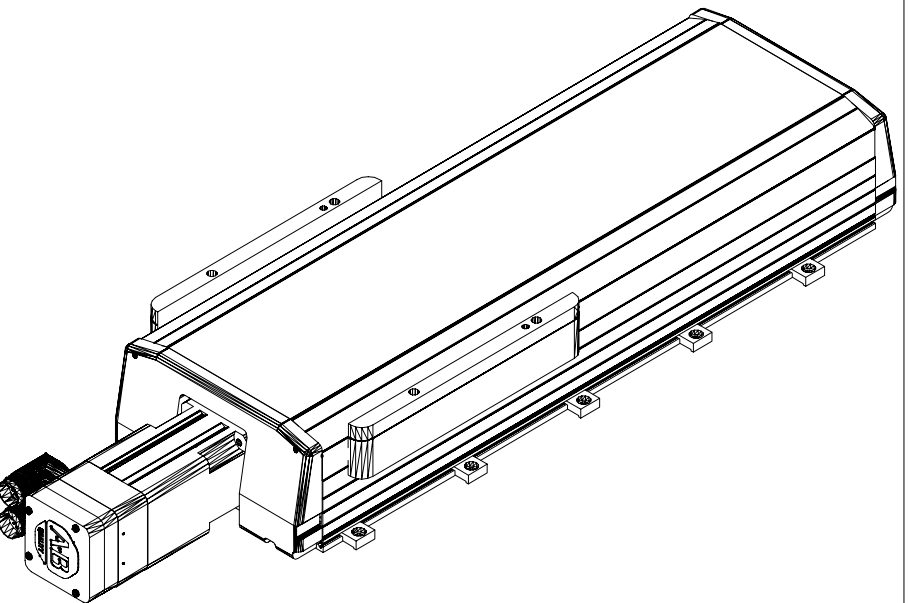


232.01 [9 9/64]



105.40 [4 5/32]



MPAS-B80302-V20S4A  
MP Linear Stage, Frame  
200, 460v, 300mm Stroke  
Length, Multi-turn,  
20mm Screw Lead, with  
Cover and Brake