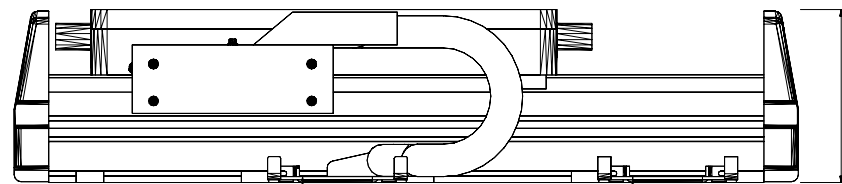
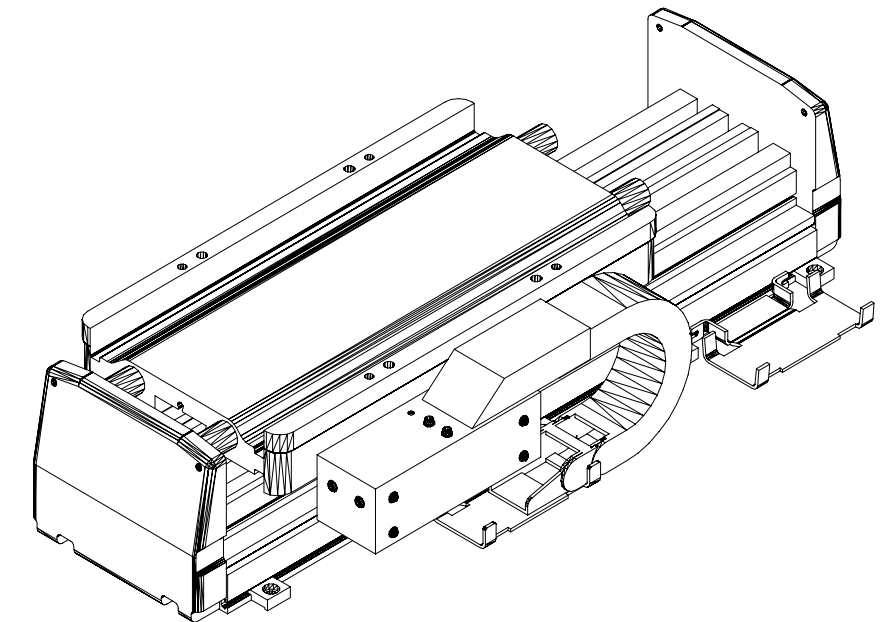


235.43 [9 17/64]



123.80 [4 7/8]



MPAS-A60121-V05S2A
MP Linear Stage, Frame
150, 230v, 120mm Stroke
Length, Incremental
Encoder, LZ 30-T-240
Motor Coil, without
Cover.