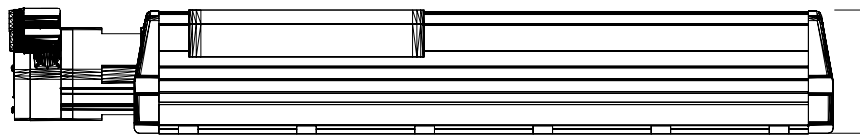
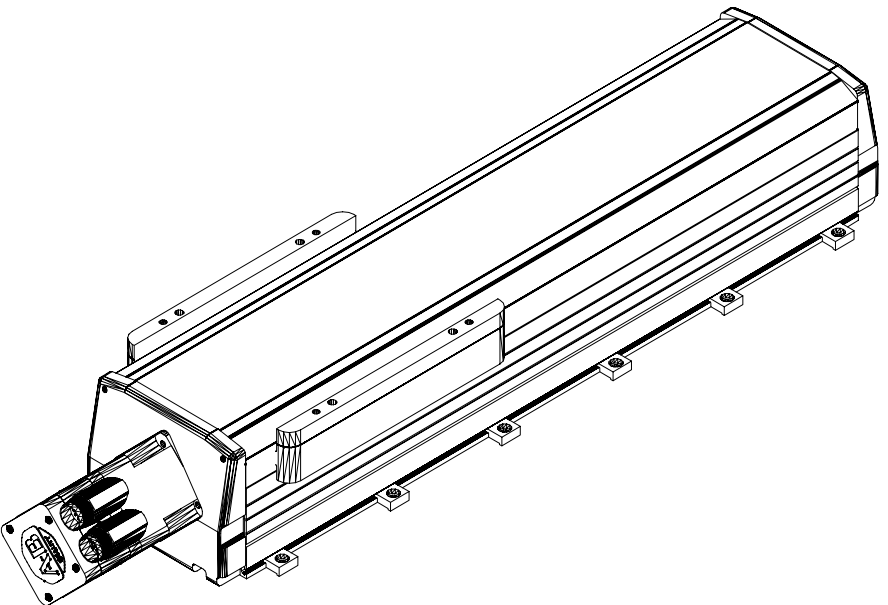


181.50 [7 9/64]



123.16 [4 27/32]



MPAS-B60362-V20S2A  
MP Linear Stage, Frame  
150, 460v, 360mm Stroke  
Length, Multi-turn,  
20mm Screw Lead, with  
Cover