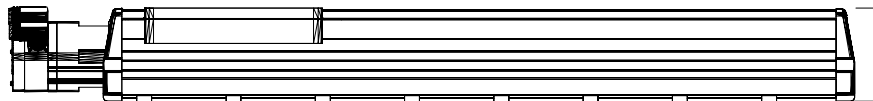
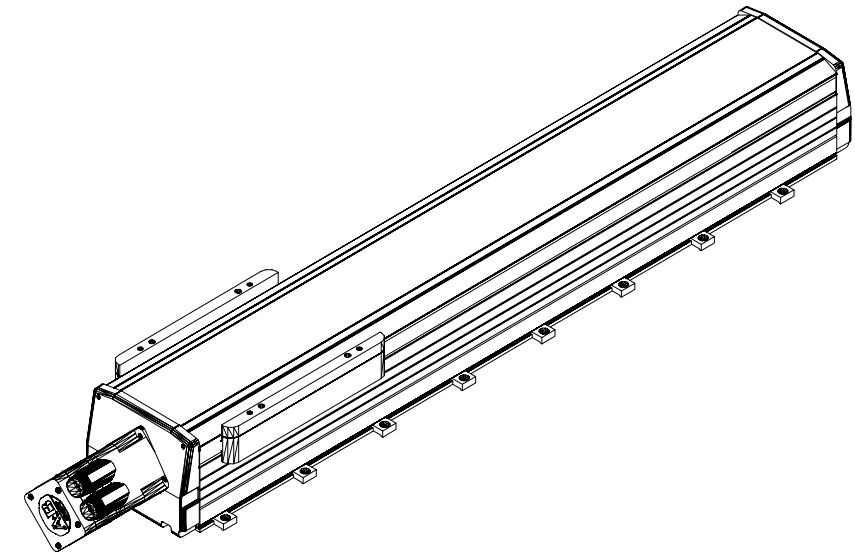


181.50 [7 9/64]



123.16 [4 27/32]



MPAS-A60662-V20S2A  
MP Linear Stage, Frame  
150, 230v, 660mm Stroke  
Length, Multi-turn,  
20mm Screw Lead, with  
Cover