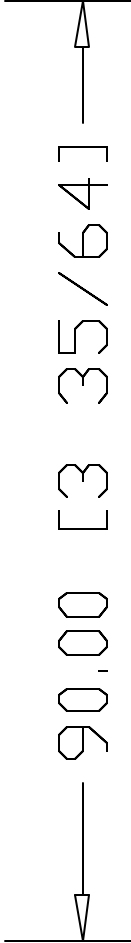
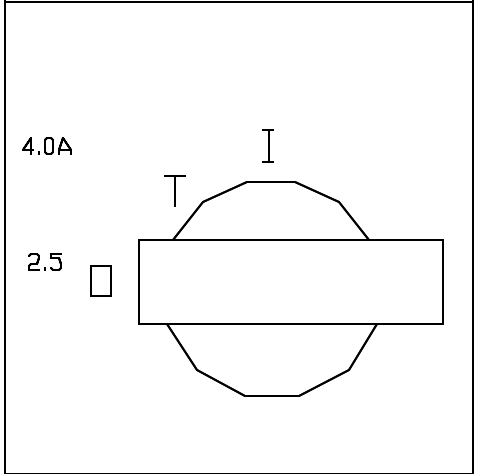
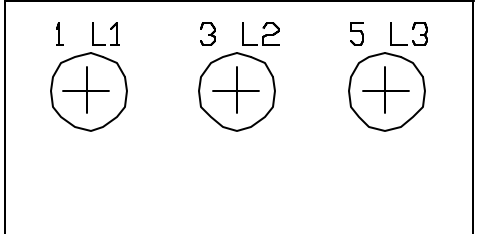
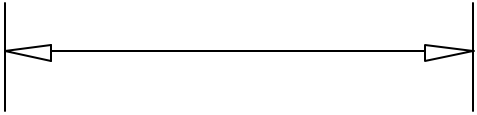


45.00 [1 49/64]



90.00 [3 35/64]

