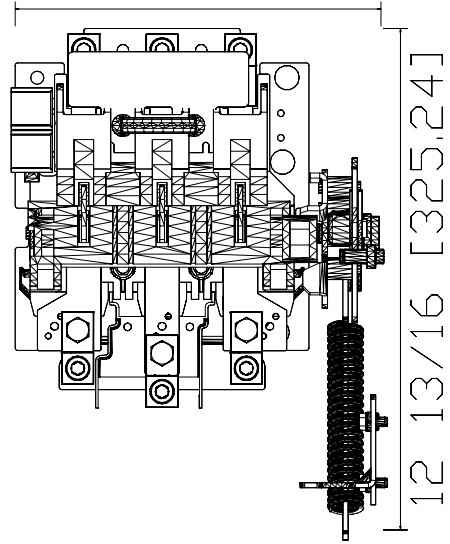


9 11/32 [237.26]



1494C-D\*2\*  
Disconnect Switch Kits,  
Right-Hand Mechanism,  
200 Amp

