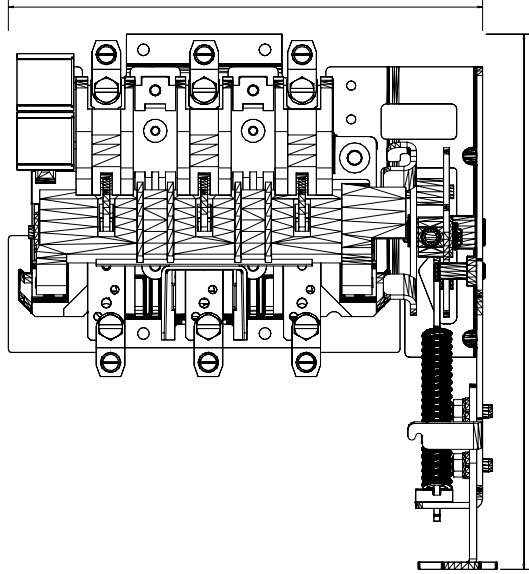
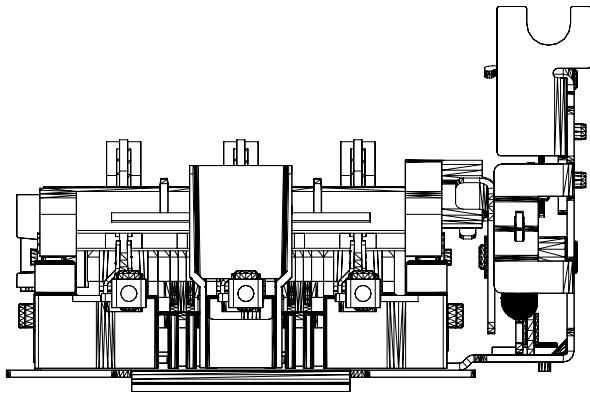


8 25/32 [223.02]



9 29/32 [251.66]



5 61/64 [151.17]

1494C-D*6*
Disconnect Switch Kits,
Right-Hand Mechanism,
60 Amp

