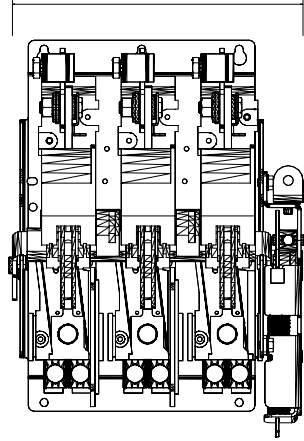
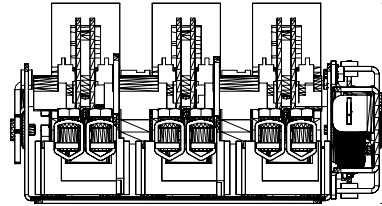


12 5/16 [312.84]



16 25/32 [426.28]



6 23/32 [170.66]

1494V-DS600  
Disconnect Switch, 600A,  
Right Side (SERIES D)

