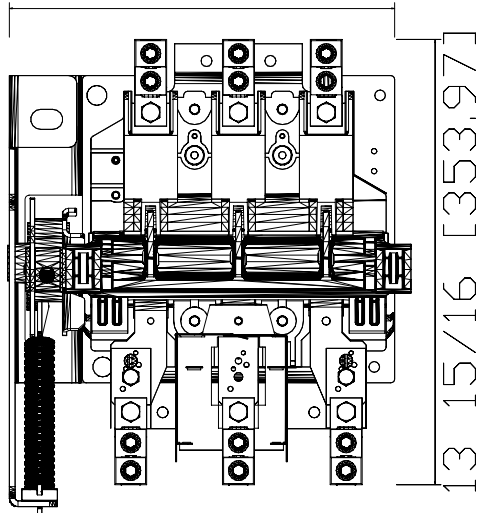
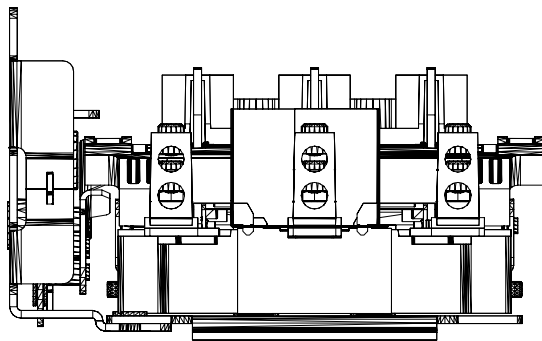


12 1/16 [306.51]



1494V-DS400
Disconnect Switch, 400A,
Left Side (SERIES D)



7 25/32 [197.82]

