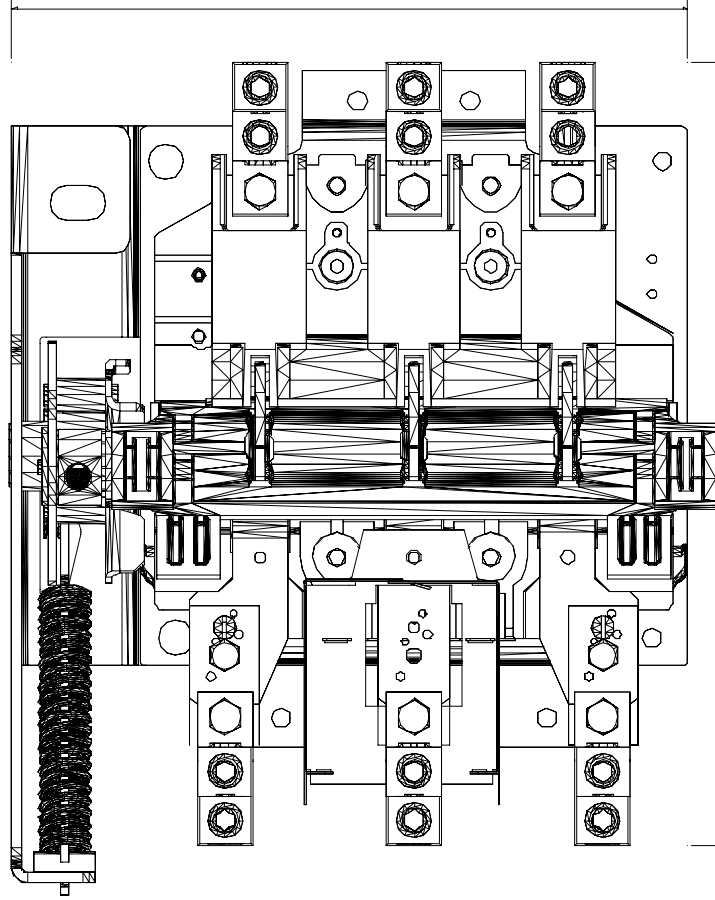


12 1/16 [306.51]



13 15/16 [353.97]

