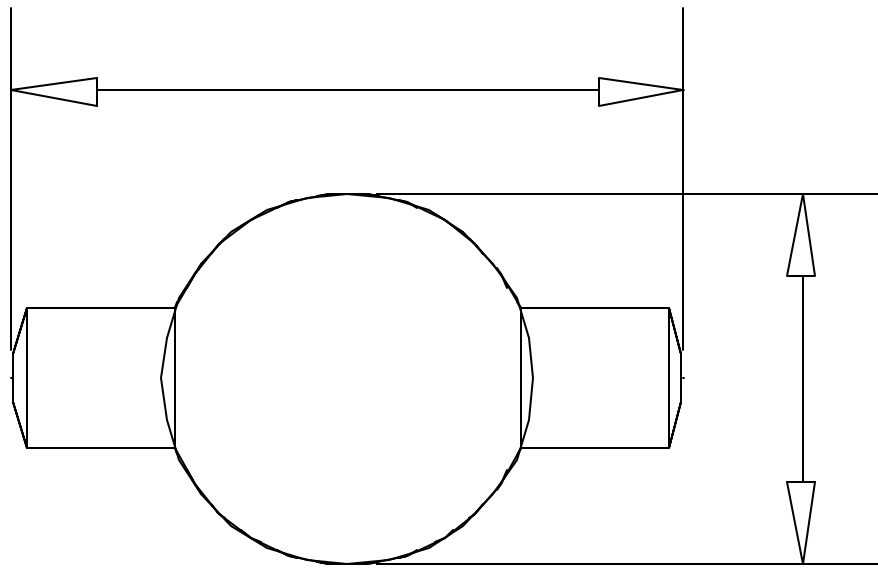


1 7/16 [36.6]



51/64 [20.3]

