

REMOVE JUMPER IF INTERLOCK USED  
 REMOVE JUMPER IF INTERLOCK USED  
 REMOVE JUMPER IF INTERLOCK USED

FREEZE/FIRE STAYS  
 AUTO START  
 BYPASS

DRIVE INPUT CONTACTOR (15, ---)  
 DRIVE OUTPUT CONTACTOR (17, 12/34, 3A/34, ---)  
 BYPASS CONTACTOR (13, 15/21, ---)

FUNCTION LOSS  
 RUN/FWD  
 SOFTWARE ENABLE  
 DIGITAL COMMON  
 DIGITAL INPUT 1 (PURGE)  
 DIGITAL INPUT 2 (ANALOG 1 IN)  
 DIGITAL INPUT 3 (CLEAR FAULT)  
 DIGITAL INPUT 4 (COMM PORT)  
 DIGITAL COMMON  
 OPTO COMMON  
 + 24VDC  
 + 10VDC  
 ANALOG INPUT #1  
 ANALOG COM. #1  
 ANALOG OUTPUT #1 (FREQUENCY 0-10V)  
 ANALOG OUTPUT #2 (OUT CURRENT 0-10V)  
 ANALOG INPUT #2  
 ANALOG COM #2  
 OPTO OUTPUT (AT FREQUENCY)  
 RJ-45 SHIELD  
 #1 RELAY N.O. (READY/FAULT)  
 #1 RELAY COMMON  
 #1 RELAY N.C.  
 #2 RELAY N.O. (MOTOR RUNNING)  
 #2 RELAY COMMON  
 #2 RELAY N.C.

DRIVE HORSEPOWER  
 250HP  
 300HP  
 350HP

GROUND LUG-LG  
 275  
 275  
 275

OUTPUT TB-T1, T2, T3 & MG  
 500  
 500  
 375

OPENING OF FREEZE/FIRE INTERLOCK (IN DRIVE MODE) WILL REQUIRE MANUAL RESET.  
 P1\* DEFAULT POSITION IS PARKED IN POSITION OFF POSITION MOVE "P1" TO POSITION "B".  
 P2\* DEFAULT POSITION IS PARKED IN POSITION "A-B". FOR DRIVE TEST IN BYPASS MOVE "P2" TO POSITION "B-C".

01	INCOMING 3Φ POWER
02	L1
03	L2
04	L3
05	CBI CIRCUIT BREAKER
06	FU4
07	FU5
08	350HP ONLY
09	FU6
10	31A
11	X1
12	H1S
13	H2P
14	H3P
15	H4P
16	X2
17	T
18	115VAC
19	480V
20	BC
21	OL
22	DOC
23	41
24	42
25	43
26	44
27	46
28	45
29	47
30	48
31	49
32	X2
33	39
34	38
35	37
36	36
37	35
38	34
39	33
40	32
41	31
42	30
43	29
44	28
45	27
46	26

01	12
02	13
03	16
04	11
05	7
06	8
07	9
08	10
09	4
10	5
11	6
12	14
13	1
14	2
15	3
16	15
17	CONN1

01	A	O	O	O	O	O	O
02	B	O	O	O	O	O	O

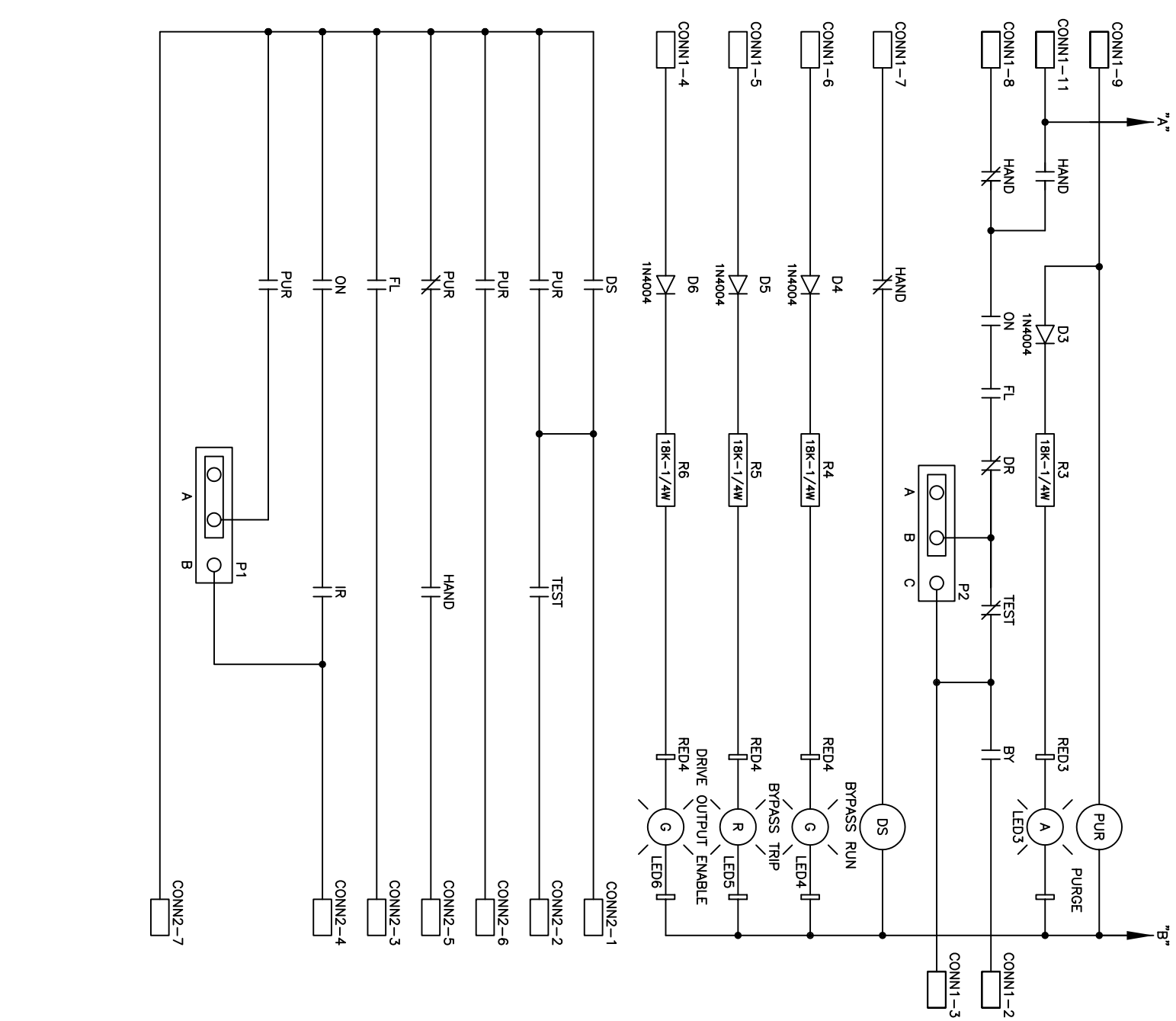
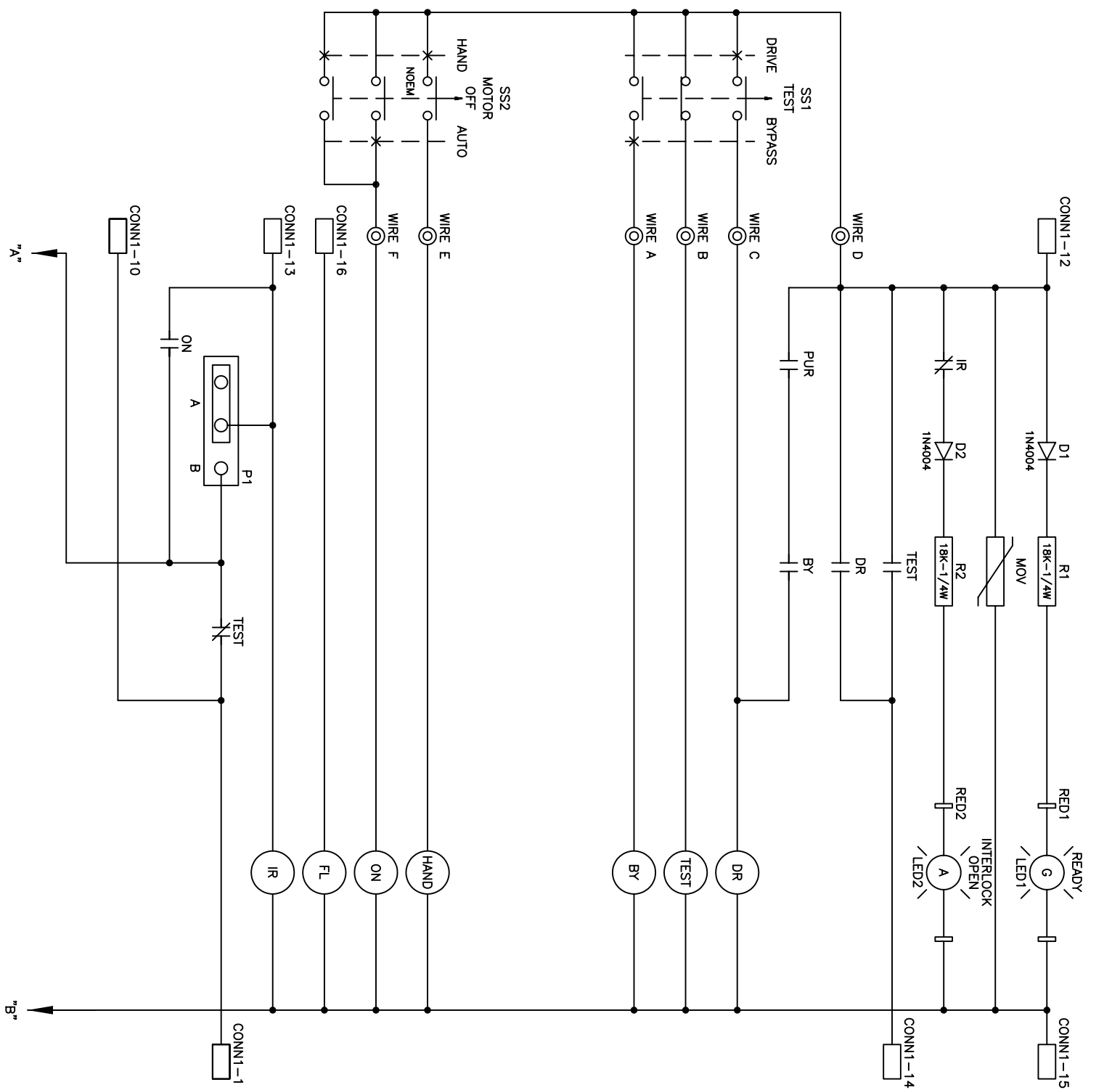
01	1	2	3	4	5	6	7
02	61	62	63	64	65	66	67
03	63	68	64	69	65	67	
04	67						
05	67						
06	67						
07	67						
08	67						
09	67						
10	67						
11	67						
12	67						
13	67						
14	67						
15	67						
16	67						
17	67						
18	67						
19	67						
20	67						
21	67						
22	67						
23	67						
24	67						
25	67						
26	67						
27	67						
28	67						
29	67						
30	67						
31	67						
32	67						
33	67						
34	67						
35	67						
36	67						
37	67						
38	67						
39	67						
40	67						
41	67						
42	67						
43	67						
44	67						
45	67						
46	67						

01	DATE	BY	APPROVAL
02	DESIGN REVIEW		
03	FDR MANUFACTURING		
04	AS SHIPPED		
05	AS COMMISSIONED		

01	REV.	DATE	BY	ECN/CR	ND
02	A	3/15/07	AWR		
03	B	6/11/07	REH		

**Rockwell Automation**

01	THIS DRAWING IS THE PROPERTY OF ROCKWELL AUTOMATION, INC. OR ITS SUBSIDIARIES AND MAY NOT BE COPIED, USED OR DISCLOSED FOR ANY PURPOSE EXCEPT AS AUTHORIZED IN WRITING BY ROCKWELL AUTOMATION, INC.	
02	TITLE	SCHEMATIC DRAWING (CIRCUIT BREAKER)
03	DR.	PF400, 250-350HP/460VAC, NEMA STYLE B, FRAMES G & H, CONTROL
04	CHK.	DATE 10/17/06
05	ENG.	DATE 10/12/06
06	DWG.	DATE 10/17/06
07	DWG.	DATE 10/17/06
08	DWG.	DATE 10/17/06
09	DWG.	DATE 10/17/06
10	DWG.	DATE 10/17/06
11	DWG.	DATE 10/17/06
12	DWG.	DATE 10/17/06
13	DWG.	DATE 10/17/06
14	DWG.	DATE 10/17/06
15	DWG.	DATE 10/17/06
16	DWG.	DATE 10/17/06
17	DWG.	DATE 10/17/06
18	DWG.	DATE 10/17/06
19	DWG.	DATE 10/17/06
20	DWG.	DATE 10/17/06
21	DWG.	DATE 10/17/06
22	DWG.	DATE 10/17/06
23	DWG.	DATE 10/17/06
24	DWG.	DATE 10/17/06
25	DWG.	DATE 10/17/06
26	DWG.	DATE 10/17/06
27	DWG.	DATE 10/17/06
28	DWG.	DATE 10/17/06
29	DWG.	DATE 10/17/06
30	DWG.	DATE 10/17/06
31	DWG.	DATE 10/17/06
32	DWG.	DATE 10/17/06
33	DWG.	DATE 10/17/06
34	DWG.	DATE 10/17/06
35	DWG.	DATE 10/17/06
36	DWG.	DATE 10/17/06
37	DWG.	DATE 10/17/06
38	DWG.	DATE 10/17/06
39	DWG.	DATE 10/17/06
40	DWG.	DATE 10/17/06
41	DWG.	DATE 10/17/06
42	DWG.	DATE 10/17/06
43	DWG.	DATE 10/17/06
44	DWG.	DATE 10/17/06
45	DWG.	DATE 10/17/06
46	DWG.	DATE 10/17/06



40	DATE	BY	APPROVAL
41		FDR	DESIGN REVIEW
		AS SHIPPED	FOR MANUFACTURING
42			AS COMMISSIONED

REV.	DATE	BY	ECN/CR. NO.
A	3/15/07	AWR	
B	6/11/07	REH	

DR.	BY REH/ACI	CHK.	BY AWR/ACI	ENG.	AWR/ACI	DWG.	ND.	98D01860 - 2	NEXT SH.	2	SH. IND.	2
DATE	10/16/06	DATE	10/17/06	DATE	10/12/06							

**Rockwell Automation**

THIS DRAWING IS THE PROPERTY OF ROCKWELL AUTOMATION, INC. OR ITS SUBSIDIARIES AND MAY NOT BE COPIED, USED OR DISCLOSED FOR ANY PURPOSE EXCEPT AS AUTHORIZED IN WRITING BY ROCKWELL AUTOMATION, INC.

TITLE: SCHEMATIC DRAWING  
 PF 400, 250-350HP/460VAC, NEMA1  
 STYLE B, FRAMES G & H, BYPASS PANEL